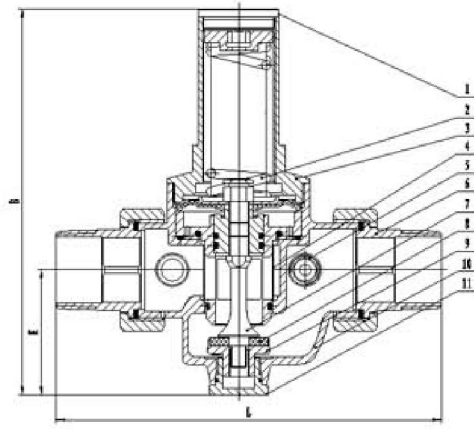


PRESSURE REDUCING VALVE

704 BRASS PRESSURE REDUCING VALVE(LOOSE JOINT)

- ◆ Pressure Rating:PN16
- ◆ Working Medium: Water, Gas
- ◆ Working Temperature: $t \leq 70^{\circ}\text{C}$
- ◆ Taper Pipe Thread To ISO7
- ◆ Outlet Pressure: 0.1-0.5MPa



Bill of Materials

Sequence	Description	Material	Size
1	Tap Lid	Brass CW617N	All
2	Spring	Alloy Steel	All
3	Bonnet	Brass CW617N	All
4	Mesh	SS304	All
5	Plug	Brass CW617N	All
6	Male Nipple	Brass CW617N	All
7	Stem	Brass CW617N	All
8	Gasket	N.B.R	All
9	Disc	Brass CW617N	All
10	Body	Brass CW617N	All
11	Cap	Brass CW617N	All

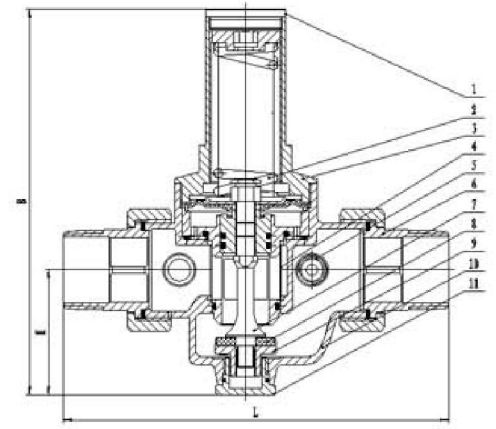
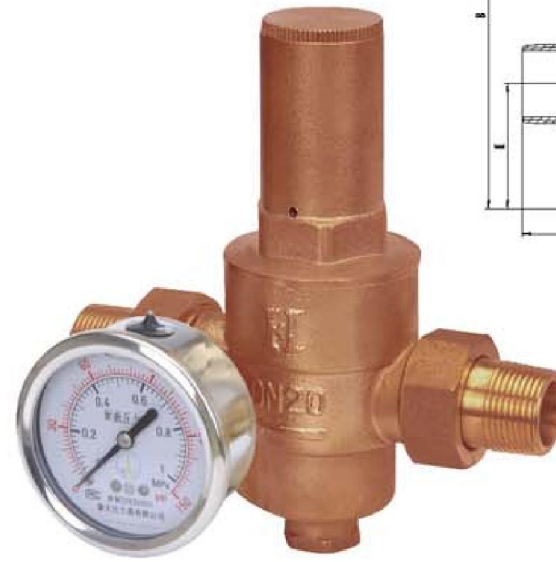
Dimensions

704						
DN	INCH	L	B	H	CM*	
15	1/2"	143	121	46	34	
20	3/4"	143	121	46	34	
25	1"	170	165	53	34	
32	1 1/4"	196	192	62	17	
40	1 1/2"	216	192	62	17	
50	2"	250	272	85	17	
65	2 1/2"	252	272	85	17	
80	3"	310	365	113	9	
100	4"	360	365	113	9	

PRESSURE REDUCING VALVE

754 BRONZE PRESSURE REDUCING VALVE(LOOSE JOINT)

- ◆ Pressure Rating:PN16
- ◆ Working Medium: Water, Gas
- ◆ Working Temperature: $t \leq 70^{\circ}\text{C}$
- ◆ Taper Pipe Thread To ISO7
- ◆ Outlet Pressure: 0.1-0.5MPa



Bill of Materials

Sequence	Description	Material	Size
1	Tap Lid	Brass CW617N	All
2	Spring	Alloy Steel	All
3	Bonnet	Bronze CC491K	All
4	Mesh	SS304	All
5	Plug	Brass CW617N	All
6	Male Nipple	Brass CW617N	All
7	Stem	Brass CW617N	All
8	Gasket	N.B.R	All
9	Disc	Brass CW617N	All
10	Body	Bronze CC491K	All
11	Cap	Brass CW617N	All

Dimensions

754						
DN	INCH	L	B	H	CM*	
15	1/2"	143	121	46	34	
20	3/4"	143	121	46	34	
25	1"	170	165	53	34	
32	1 1/4"	196	192	62	17	
40	1 1/2"	216	192	62	17	
50	2"	250	272	85	17	
65	2 1/2"	252	272	85	17	
80	3"	310	365	113	9	
100	4"	360	365	113	9	