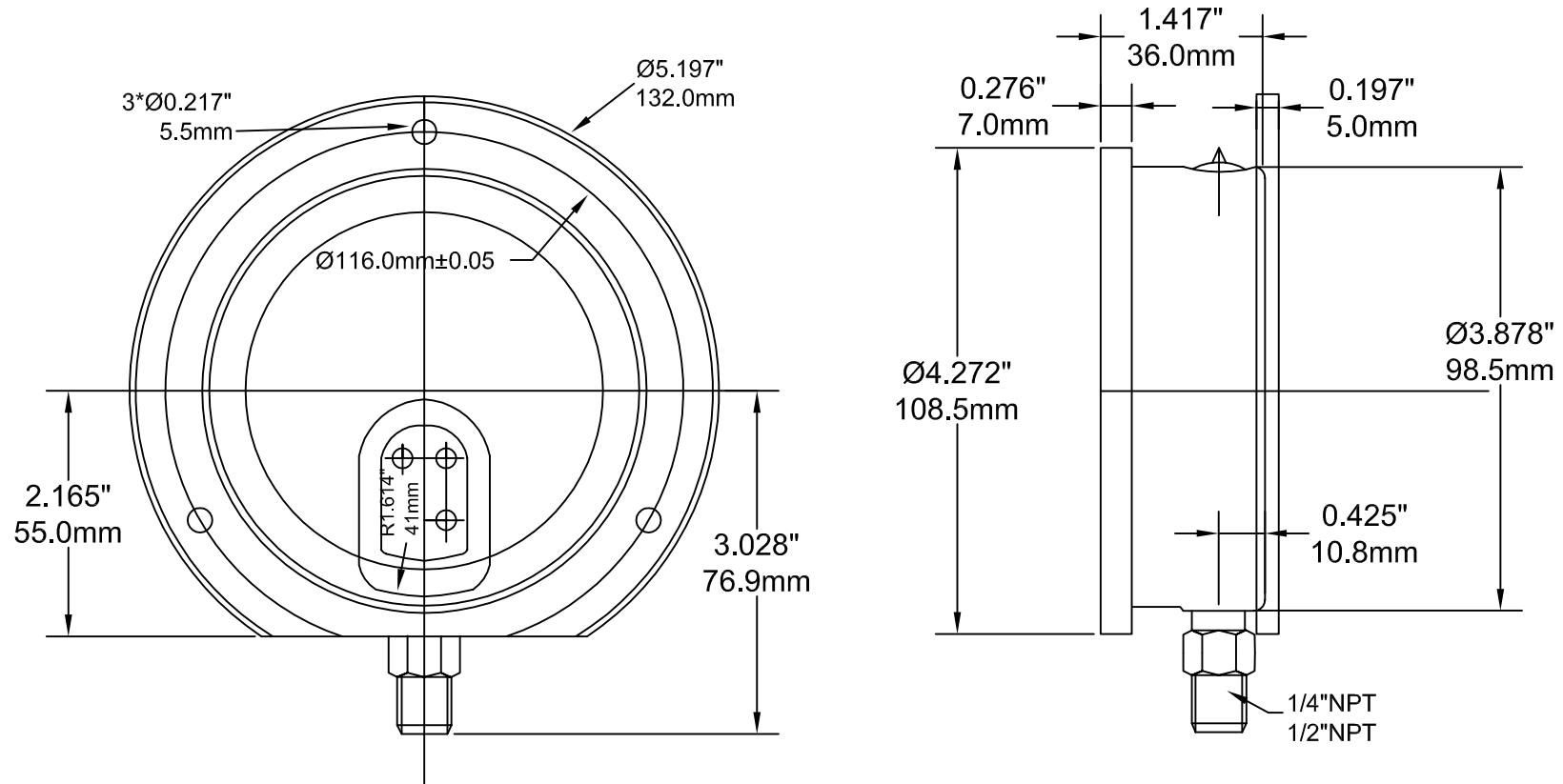


Case Material: Stainless Steel
 Lens Material: Polycarbonate or Safety Glass
 Ring: Stainless Steel, Bayonet Mount
 Socket: Stainless Steel or Brass
 Tube: AISI 316 Stainless Steel or Brass
 Movement: Stainless Steel or Brass
 Accuracy: $\pm 1\%$
 Ambient Temperature Limits: -14°F to 158°F (-25°C to 70°C)
 Process Temperature Limits: -14°F to 158°F (-25°C to 70°C)
 Enclosure Rating: IP66



DRAWN BY:	ALL DIMENSIONS IN INCHES/MM	TITLE:
CHECKED BY:	TOLERANCES (unless otherwise stated)	4" Liquid Filled Gauge
ENG. APPROVAL:	Fractional : mm	
	Decimal: mm	
APPROVED BY:	REVISION No. & DATE:	DRAWING NO: