

Electronic Over Current Relay (EOCR)

EOCR 3DE Series



EOCR (Electronic Over Current Relay) is a Motor Protection Relay to protect your electric motor from burn out due to frequent and common problems.

Standard Features

Approval

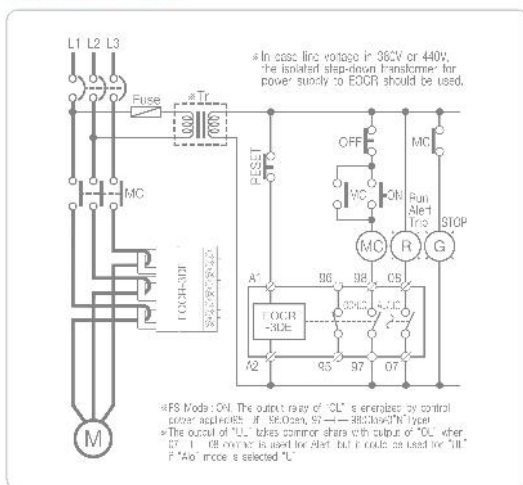
- Digital Display / Trip Cause / Easy Trouble Shooting (MCU/Microprocessor Control Unit) based
- 3 Integral Current Transformer, Compact Design / Multiple Protection Function
- Wide Current Adjustment Range / High Accuracy / Digital Ammeter / Test Function
- Manual Instantaneous Reset / Electrical Reset < 1 second by interruption of power supply
- Ambient insensitive
- Low Energy Consumption < 3 W
- Options Fail safe Operation (Type N) or Non Fail safe Operation (Type R)

Specification

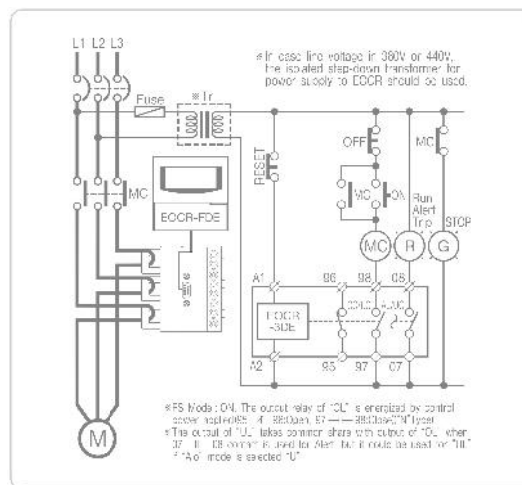
	TYPE	3DE	FDE	3EZ	FEZ	
Protection	Current Range		0.5 - 60 A			
	Over Current		DEF : 0-Time (0.2 - 30 second)			
	Under Current		DEF : 0.5 - 30 second			
	Phase Loss		3 second			
	Phase Unbalance		8 second			
	Phase Reversal		0.1 - 0.3 second			
	Stall		While motor is working (1.5 - 5 Times OC) ~ 0.5 second after D-Time (1-200 second)			
	Locked Rotor		While motor is starting (2 - 10 Times OC) ~ 0.5 second			
	Ground Fault		-		A : 0.02-3 A, B : 0.2-10A (0.5 - 10 second)	
	Alert Function		50 - 100% / OFF		-	
Mounting Support		35 mm Din rail / Panel Mounting		35 mm Din rail / Panel Flush Mounting		
Output Contact	OL	2-SPST		1-SPST		
	AL/GR	All Relay		Ground Fault Relay		
	Rating	3A / 250 VAC Resistive				
Control Voltage		110 VAC ; 220 VAC ; 50 - 60Hz				
Display Type		7 Segment LED				
Dielectric Strength		2 kV at 50...60 Hz, Insulation Voltage : 600VAC 50/60 Hz				
Environment		Temp : For Operation : -20° - 60° C , For Storage : -30° - 80° C Humidity : 45~85% RH, Non Condensing				
IP Protection		IP 20 IEC 60529				
Weight		3DE / 3EZ : 0.336 kg		FDE / FEZ : 0.694 kg		

*(> 60A : 380A); Use External CT Option

Typical Wiring



* 3DE

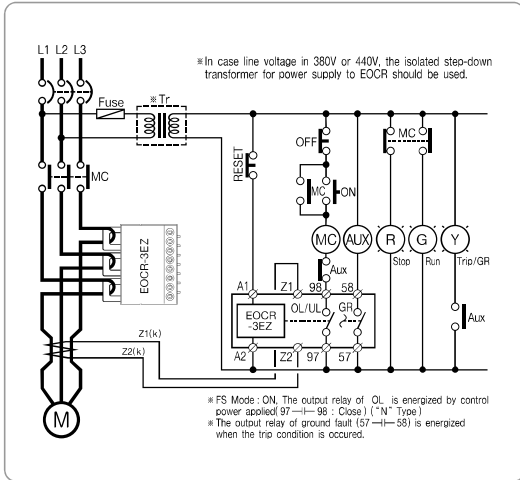


* FDE

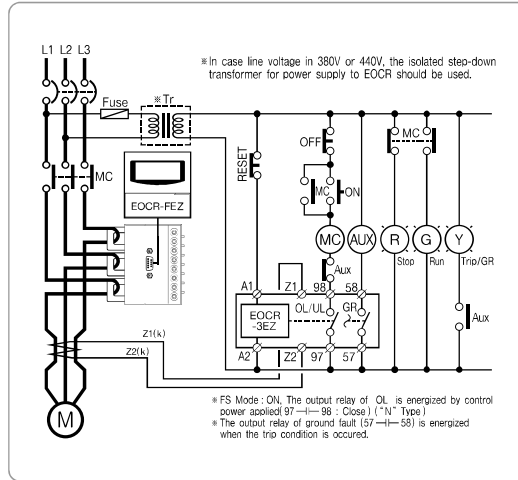
Electronic Over Current Relay (EOCR)

EOCR 3DE Series

Typical Wiring

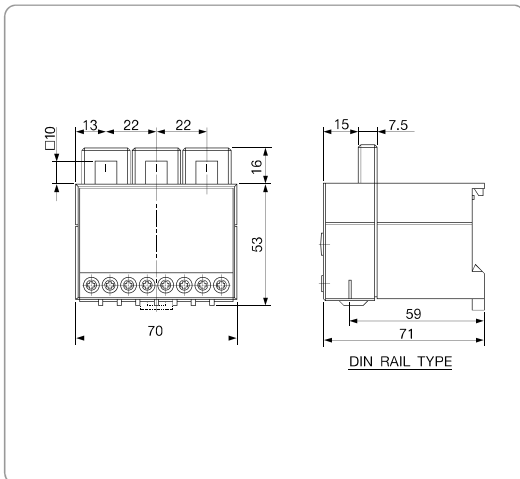


* 3EZ

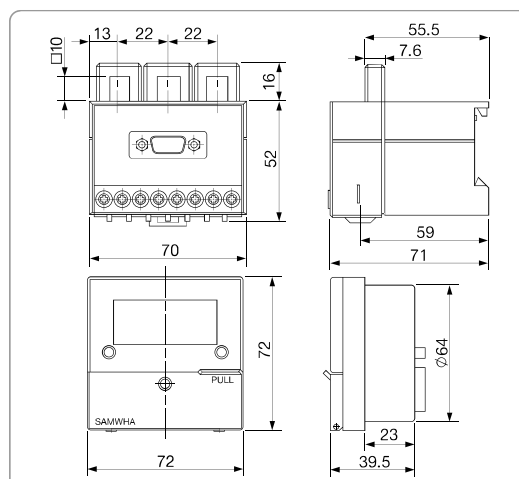


* FEZ

Dimension



* 3DE / 3EZ



* FDE / FEZ

External CT Options / Current Range

Current Setting Range (Amps)	Number of Conductors thru CT windows	External CT Ratio	Setting of CT Ratio OFF (Mode : --)
0.5 ~ 60A	1	-	
0.25 ~ 3.0A	2	-	2t
0.1 ~ 1.2A	5	-	5t
1 ~ 12A	1	10 : 5	10
1.5 ~ 18A	1	15 : 5	15
2.0 ~ 24A	1	20 : 5	20
2.5 ~ 30A	1	25 : 5	25
3.0 ~ 36A	1	30 : 5	30
4.0 ~ 48A	1	40 : 5	40
5 ~ 60A	1	50 : 5	50
6 ~ 72A	1	60 : 5	60
7.5 ~ 90A	1	75 : 5	75
10 ~ 120A	1	100 : 5	100
12 ~ 144A	1	120 : 5	120
15 ~ 180A	1	150 : 5	150
20 ~ 240A	1	200 : 5	200
25 ~ 300A	1	250 : 5	250
30 ~ 360A	1	300 : 5	300
40 ~ 480A	1	400 : 5	400
50 ~ 600A	1	500 : 5	500
60 ~ 720A	1	600 : 5	600
75 ~ 900A	1	750 : 5	750
80 ~ 960A	1	800 : 5	800