

Features

- General Purpose Enclosure
- 2-way normally closed or normally open operation
- Zero differential lever actuated
- For on-off control of fuel oil in commercial and industrial oil burners
- Suitable for light and heavy fuel oils

Fluid

- No. 2 Fuel Oil at 60 SSU
- No. 4 Fuel Oil at 300 SSU
- No. 5 Fuel Oil at 5000 SSU
- No. 6 Fuel Oil at 5000 SSU (Heated)

Construction

| Valve Parts in Contact with Fluids | |
|------------------------------------|-------------------------------|
| Body | Brass |
| Seals and Disc | FKM (Suffix V), SS (Suffix L) |
| Core and Plugnut | 430F Stainless Steel |
| Springs | 302 Stainless Steel |
| Shading Coil | Copper |

Electrical

| Standard Coil and Class of Insulation | Watt Rating and Power Consumption | | | Spare Coil Family | | |
|---------------------------------------|-----------------------------------|------------|-----------|-------------------|------------------|------------------|
| | AC | | | General Purpose | | |
| | Watts | VA Holding | VA Inrush | 24/60 | 120/60 110/50 | 240/60 220/50 |
| F | 15.4 | 27 | 160 | 099257 | 099257 | 099257 |
| F | 20 | 43 | 240 | 099257 | 099257 | 099257 |

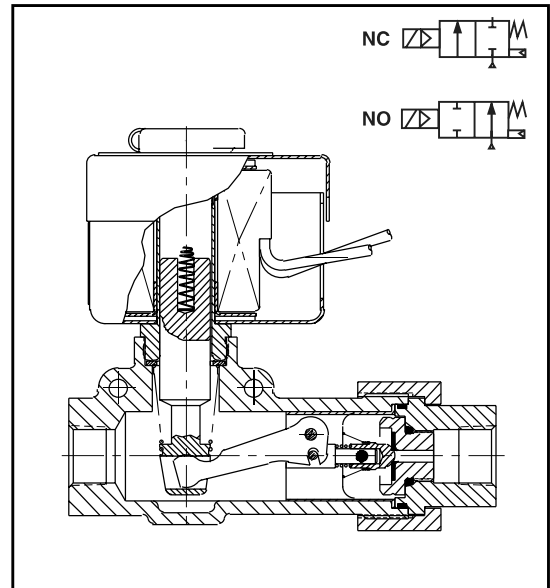
Standard lead length 18" (72" leads optional - change suffix "D" to "K").

Solenoid Enclosures

- Standard:** RedHat Type 1 General Purpose.
- Optional:** RedHat Type 3R Rainproof (prefix "R").

Valve Response Time

- Opening Time:** Less than 1 second
- Closing Time:** Less than 1 second



Approvals

(Normally Closed Valves)

- UL listed Shutoff Valves.
- FM Approved Oil Safety Shutoff Valves
- CSA Safety Valves

(Normally Open Valves)

- UL listed General Purpose Valves.
- CSA Electrically Operated Valves

COMBUSTION

Specifications (English units)

| Pipe Size (in) | Orifice Size (in) | Cv Flow Factor | Minimum Operating Pressure Differential (psi) | Maximum Operating Pressure Differential (psi) | | Max. Fluid Temp. °F | Catalog Number | | Const. Ref. | Agency | | | Wattage |
|---|-------------------|----------------|---|---|------------------------------------|---------------------|----------------|-------------------------|-------------|--------|----|-----|---------|
| | | | | #2 Fuel Oil at 60 SSU, #4 Fuel Oil @ 300 SSU | #5 or Heated #6 Oil up to 5000 SSU | | FKM Seating | Stainless Steel Seating | | UL | FM | CSA | |
| COMBUSTION (Fuel Oil) - Normally Closed without Bypass | | | | | | | | | | | | | |
| 3/8 | 1/8 | 0.34 | 0 | 400 | 350 | See Table Below | 8266D001V | 8266D001L | 1 | ○ | ○ | ○ | 15.4/F |
| 3/8 | 3/16 | 0.68 | 0 | 200 | 175 | | 8266D007V | 8266D007L | 1 | ○ | ○ | ○ | 15.4/F |
| 3/8 | 3/16 | 0.68 | 0 | 300 | 250 | | 8266D011V | 8266D011L | 1 | ○ | ○ | ○ | 15.4/F |
| 3/8 | 1/4 | 1.20 | 0 | 110 | 100 | | 8266D023V | 8266D023L | 1 | ○ | ○ | ○ | 15.4/F |
| 1/2 | 1/8 | 0.34 | 0 | 400 | 350 | | 8266D047V | 8266D047L | 1 | ○ | ○ | ○ | 15.4/F |
| 1/2 | 3/16 | 0.68 | 0 | 200 | 175 | | 8266D053V | 8266D053L | 1 | ○ | ○ | ○ | 15.4/F |
| 1/2 | 3/16 | 0.68 | 0 | 300 | 250 | | 8266D057V | 8266D057L | 1 | ○ | ○ | ○ | 20/F |
| 1/2 | 13/64 | 0.78 | 0 | 170 | 140 | | 8266D061V | 8266D061L | 1 | ○ | ○ | ○ | 15.4/F |
| 1/2 | 1/4 | 1.20 | 0 | 110 | 100 | | 8266D069V | 8266D069L | 1 | ○ | ○ | ○ | 15.4/F |
| 1/2 | 5/16 | 1.80 | 0 | 70 | 70 | | 8266D077V | 8266D077L | 1 | ○ | ○ | ○ | 15.4/F |
| 1/2 | 3/8 | 2.50 | 0 | 40 | 35 | | 8266D085V | 8266D085L | 1 | ○ | ○ | ○ | 15.4/F |
| COMBUSTION (Fuel Oil) - Normally Closed with 1/2" NPT Bypass | | | | | | | | | | | | | |
| 1/2 | 1/8 | 0.34 | 0 | 650 | 600 | See Table Below | 8266C203V | 8266C203L | 1 | ○ | ○ | ○ | 20/F |
| 1/2 | 1/4 | 1.20 | 0 | 180 | 160 | | 8266C215V | 8266C215L | 1 | ○ | ○ | ○ | 20/F |
| 1/2 | 5/16 | 1.80 | 0 | 110 | 100 | | 8266C219V | 8266C219L | 1 | ○ | ○ | ○ | 20/F |
| 1/2 | 3/8 | 2.50 | 0 | 75 | 70 | | 8266C223V | 8266C223L | 1 | ○ | ○ | ○ | 20/F |
| 3/4 | 1/4 | 1.20 | 0 | 180 | 160 | | 8266C239V | 8266C239L | 1 | ○ | ○ | ○ | 20/F |
| 3/4 | 5/16 | 1.80 | 0 | 110 | 100 | | 8266C243V | 8266C243L | 1 | ○ | ○ | ○ | 20/F |
| 3/4 | 3/8 | 2.50 | 0 | 75 | 70 | | 8266C247V | 8266C247L | 1 | ○ | ○ | ○ | 20/F |
| COMBUSTION (Fuel Oil) - Normally Open without Bypass | | | | | | | | | | | | | |
| 3/8 | 1/8 | 0.34 | 0 | 425 | 400 | See Table Below | 8266D101V | 8266D101L | 1 | ○ | - | ○ | 15.4/F |
| 3/8 | 3/16 | 0.68 | 0 | 160 | 150 | | 8266D107V | 8266D107L | 1 | ○ | - | ○ | 15.4/F |
| 3/8 | 1/4 | 1.20 | 0 | 90 | 75 | | 8266D123V | 8266D123L | 1 | ○ | - | ○ | 15.4/F |
| 1/2 | 3/16 | 0.68 | 0 | 160 | 150 | | 8266D153V | 8266D153L | 1 | ○ | - | ○ | 15.4/F |
| 1/2 | 13/64 | 0.78 | 0 | 130 | 125 | | 8266D161V | 8266D161L | 1 | ○ | - | ○ | 15.4/F |
| 1/2 | 1/4 | 1.20 | 0 | 90 | 75 | | 8266D169V | 8266D169L | 1 | ○ | - | ○ | 15.4/F |

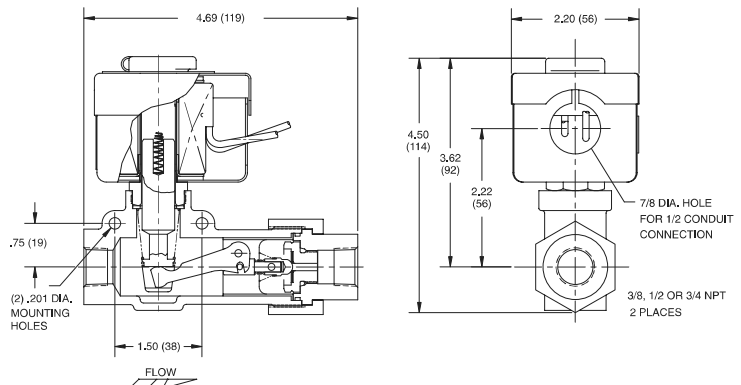
○ = Safety Shutoff Valve.

Dimensions inches (mm)

COMBUSTION

| Coil | Watt Rating | Class of Coil Insulation | Fluid Temp. °F | Ambient Temp. °F | Catalog No. Prefix |
|---|-------------|--------------------------|----------------|------------------|--------------------|
| Standard | 15.4 | F | 250 | 95 | None Required |
| | | F | 225 | 104 | |
| | 20 | F | 225 | 77 | |
| | | F | 200 | 95 | |
| For Higher Fluid and/or Ambient Temp. Use | 15.4 | H | 250 | 122 | HT |
| | 20 | H | 250 | 122 | HB |

Const. Ref. 1



Must be mounted with solenoid vertical and upright.

Specifications (Metric units)

| Pipe Size (in) | Orifice Size (mm) | Kv Flow (m ³ /hr) | Minimum Operating Pressure Differential (bar) | Maximum Operating Pressure Differential (bar) | | Max. Fluid Temp. °C | Catalog Number | | Const. Ref. | Agency | | | Wattage | |
|---|-------------------|------------------------------|---|---|------------------------------------|---------------------|-----------------|-------------------------|-------------|--------|----|-----|---------|------|
| | | | | #2 Fuel Oil at 60 SSU, #4 Fuel Oil @ 300 SSU | #5 or Heated #6 Oil up to 5000 SSU | | FKM Seating | Stainless Steel Seating | | UL | FM | CSA | | |
| COMBUSTION (Fuel Oil) - Normally Closed without Bypass | | | | | | | | | | | | | | |
| 3/8 | 3 | 0.3 | 0 | 27.6 | 24.1 | See Table Below | 8266D001V | 8266D001L | 1 | ○ | ○ | ○ | 15.4/F | |
| 3/8 | 5 | 0.6 | 0 | 13.8 | 12.1 | | 8266D007V | 8266D007L | 1 | ○ | ○ | ○ | 15.4/F | |
| 3/8 | 5 | 0.6 | 0 | 20.7 | 17.2 | | 8266D011V | 8266D011L | 1 | ○ | ○ | ○ | 15.4/F | |
| 3/8 | 6 | 1.0 | 0 | 7.6 | 6.9 | | 8266D023V | 8266D023L | 1 | ○ | ○ | ○ | 15.4/F | |
| 1/2 | 3 | 0.3 | 0 | 27.6 | 24.1 | | 8266D047V | 8266D047L | 1 | ○ | ○ | ○ | 15.4/F | |
| 1/2 | 5 | 0.6 | 0 | 13.8 | 12.1 | | 8266D053V | 8266D053L | 1 | ○ | ○ | ○ | 15.4/F | |
| 1/2 | 5 | 0.6 | 0 | 20.7 | 17.2 | | 8266D057V | 8266D057L | 1 | ○ | ○ | ○ | 20/F | |
| 1/2 | 5 | 0.7 | 0 | 11.7 | 9.7 | | 8266D061V | 8266D061L | 1 | ○ | ○ | ○ | 15.4/F | |
| 1/2 | 6 | 1.0 | 0 | 7.6 | 6.9 | | 8266D069V | 8266D069L | 1 | ○ | ○ | ○ | 15.4/F | |
| 1/2 | 8 | 1.5 | 0 | 4.8 | 4.8 | | 8266D077V | 8266D077L | 1 | ○ | ○ | ○ | 15.4/F | |
| 1/2 | 10 | 2.1 | 0 | 2.8 | 2.4 | | 8266D085V | 8266D085L | 1 | ○ | ○ | ○ | 15.4/F | |
| COMBUSTION (Fuel Oil) - Normally Closed with 1/2" NPT Bypass | | | | | | | | | | | | | | |
| 1/2 | 3 | 0.3 | 0 | 44.8 | 41.4 | | See Table Below | 8266C203V | 8266C203L | 1 | ○ | ○ | ○ | 20/F |
| 1/2 | 6 | 1.0 | 0 | 12.4 | 11.0 | | | 8266C215V | 8266C215L | 1 | ○ | ○ | ○ | 20/F |
| 1/2 | 8 | 1.5 | 0 | 7.6 | 6.9 | 8266C219V | | 8266C219L | 1 | ○ | ○ | ○ | 20/F | |
| 1/2 | 10 | 2.1 | 0 | 5.2 | 4.8 | 8266C223V | | 8266C223L | 1 | ○ | ○ | ○ | 20/F | |
| 3/4 | 6 | 1.0 | 0 | 12.4 | 11.0 | 8266C239V | | 8266C239L | 1 | ○ | ○ | ○ | 20/F | |
| 3/4 | 8 | 1.5 | 0 | 7.6 | 6.9 | 8266C243V | | 8266C243L | 1 | ○ | ○ | ○ | 20/F | |
| 3/4 | 10 | 2.1 | 0 | 5.2 | 4.8 | 8266C247V | | 8266C247L | 1 | ○ | ○ | ○ | 20/F | |
| COMBUSTION (Fuel Oil) - Normally Open without Bypass | | | | | | | | | | | | | | |
| 3/8 | 3 | 0.3 | 0 | 29.3 | 27.6 | See Table Below | 8266D101V | 8266D101L | 1 | ○ | - | ○ | 15.4/F | |
| 3/8 | 5 | 0.6 | 0 | 11.0 | 10.3 | | 8266D107V | 8266D107L | 1 | ○ | - | ○ | 15.4/F | |
| 3/8 | 6 | 1.0 | 0 | 6.2 | 5.2 | | 8266D123V | 8266D123L | 1 | ○ | - | ○ | 15.4/F | |
| 1/2 | 5 | 0.6 | 0 | 11.0 | 10.3 | | 8266D153V | 8266D153L | 1 | ○ | - | ○ | 15.4/F | |
| 1/2 | 5 | 0.7 | 0 | 9.0 | 8.6 | | 8266D161V | 8266D161L | 1 | ○ | - | ○ | 15.4/F | |
| 1/2 | 6 | 1.0 | 0 | 6.2 | 5.2 | | 8266D169V | 8266D169L | 1 | ○ | - | ○ | 15.4/F | |

○ = Safety Shutoff Valve.

| Coil | Watt Rating | Class of Coil Insulation | Fluid Temp. °F (°C) | Ambient Temp. °F (°C) | Catalog No. Prefix |
|---|-------------|--------------------------|---------------------|-----------------------|--------------------|
| Standard | 15.4 | F | 250 (121) | 95 (35) | None Required |
| | | F | 225 (107) | 104 (40) | |
| | 20 | F | 225 (107) | 77 (25) | |
| | | F | 200 (93) | 95 (35) | |
| For Higher Fluid and/or Ambient Temp. Use | 15.4 | H | 250 (121) | 122 (50) | HT |
| | 20 | H | 250 (121) | 122 (50) | HB |

COMBUSTION