



Allen-Bradley

***FLEX I/O Analog
Modules***

***(Cat. No. 1794-IE8, -OE4,
and -IE4XOE2 Series B)***

User Manual

The background of the right side of the cover features a stylized, light gray graphic. It includes a globe with a hand holding it from the bottom right. Overlaid on the globe is a network diagram with several rectangular nodes connected by lines, suggesting a global or interconnected system.

Important User Information

Because of the variety of uses for the products described in this publication, those responsible for the application and use of this control equipment must satisfy themselves that all necessary steps have been taken to assure that each application and use meets all performance and safety requirements, including any applicable laws, regulations, codes and standards.

The illustrations, charts, sample programs and layout examples shown in this guide are intended solely for example. Since there are many variables and requirements associated with any particular installation, Allen-Bradley does not assume responsibility or liability (to include intellectual property liability) for actual use based upon the examples shown in this publication.

Allen-Bradley publication SGI-1.1, "Safety Guidelines For The Application, Installation and Maintenance of Solid State Control" (available from your local Allen-Bradley office) describes some important differences between solid-state equipment and electromechanical devices which should be taken into consideration when applying products such as those described in this publication.

Reproduction of the contents of this copyrighted publication, in whole or in part, without written permission of Allen-Bradley Company, Inc. is prohibited.

Throughout this manual we make notes to alert you to possible injury to people or damage to equipment under specific circumstances.



ATTENTION: Identifies information about practices or circumstances that can lead to personal injury or death, property damage or economic loss.

Attention helps you:

- Identify a hazard.
- Avoid the hazard.
- Recognize the consequences.

Important: Identifies information that is especially important for successful application and understanding of the product.

Important: We recommend you frequently backup your application programs on appropriate storage medium to avoid possible data loss.

Summary of Changes

This publication contains new and revised information not included in the previous version.

New Information

Addition of DeviceNet Mapping

A new chapter has been added to describe the special mapping for DeviceNet.

Additional Flex I/O Modules

New series B analog modules are now available for Flex I/O users. These modules are:

- 1794-OE4 series B 4 output analog module
- 1794-IE8 series B 8 input analog module
- 1794-IE4XOE2 series B 4 in/2 out combo analog module

The differences between series A and series B are explained in Appendix B.

I/O Mapping

I/O mapping for the series B versions of the analog modules has been added.

Revised Information

This manual has been revised to include separate chapters for remote I/O adapters and DeviceNet adapters. In addition, range selection bits have been revised to include an Off condition.

Change Bars

The areas in this manual which are different from previous editions are marked with change bars (as shown to the right of this paragraph) to indicate the addition of new or revised information.

Table of Contents

Summary of Changes	P-1
New Information	P-1
Addition of DeviceNet Mapping	P-1
Additional Flex I/O Modules	P-1
I/O Mapping	P-1
Revised Information	P-1
Change Bars	P-1
Using This Manual	P-1
Purpose of this Manual	P-1
Audience	P-1
Vocabulary	P-1
Manual Organization	P-1
Conventions	P-2
For Additional Information	P-2
Overview of FLEX I/O and your Analog Modules	1-1
Chapter Objectives	1-1
The FLEX I/O System	1-1
Types of FLEX I/O Modules	1-2
How FLEX I/O Analog Modules Communicate with Programmable Controllers	1-2
Features of your Analog Modules	1-4
Chapter Summary	1-4
How to Install Your Analog Module	2-1
Chapter Objectives	2-1
Before You Install Your Analog Module	2-1
Compliance to European Union Directives	2-1
EMC Directive	2-1
Low Voltage Directive	2-2
Power Requirements	2-2
Installing the Module	2-4
Mounting the Terminal Base Unit on a DIN Rail	2-4
Panel/Wall Mounting	2-5
Mounting the Analog Module on the Terminal Base Unit	2-7
Connecting Wiring for the Analog Modules	2-8
Connecting Wiring using a 1794-TB2 or -TB3 Terminal Base Unit	2-9
Module Indicators	2-13
Chapter Summary	2-13

Module Programming	3-1
Chapter Objectives	3-1
Block Transfer Programming	3-1
Sample programs for Flex I/O Analog Modules	3-2
PLC-3 Programming	3-2
Figure 3.1 PLC-3 Family Sample Program Structure for a 1794-IE8 Module	3-2
Figure 3.2 PLC-3 Family Sample Program Structure for a 1794-OE4 Module	3-3
Figure 3.3 PLC-3 Family Sample Program Structure for a 1794-IE4XOE2 Module	3-3
PLC-5 Programming	3-4
Figure 3.4 PLC-5 Family Sample Program Structure for the 1794-IE8	3-4
Figure 3.5 PLC-5 Family Sample Program Structure for the 1794-OE4	3-4
Figure 3.6 PLC-5 Family Sample Program Structure for the 1794-IE4XOE2	3-5
PLC-2 Programming	3-5
Analog Data Format	3-6
Chapter Summary	3-6
Writing Configuration to and Reading Status from Your Module with a Remote I/O Adapter	4-1
Chapter Objectives	4-1
Configuring Your Analog Module	4-1
Range Selection	4-2
Safe State Value Selection	4-2
Data Format	4-2
Reading Data From Your Module	4-2
Mapping Data for the Analog Modules	4-3
8 Input Analog Module (Cat. No. 1794-IE8 Series B)	4-3
Analog Input Module (1794-IE8) Read	4-3
Word/Bit Descriptions for the 1794-IE8 Analog Input Module Read	4-4
Analog Input Module (1794-IE8/B) Write Configuration Block ..	4-4
Range Selection Bits for the 1794-IE8/B Analog Input Module ..	4-5
Word/Bit Descriptions for the 1794-IE8/B Analog Input Module Write	4-5
4 Output Analog Module (Cat. No. 1794-OE4 Series B)	4-6
Analog Output Module (1794-OE4/B) Read	4-6
Bit/Word Descriptions for the 1794-OE4/B Analog Output Module Read	4-6
Analog Output Module (1794-OE4/B) Write Configuration Block ..	4-7

Range Selection Bits for the 1794-OE4/B Analog Output Module (Word 5)	4-7
Word/Bit Descriptions for the 1794-OE4/B Analog Output Module Write	4-7
4 Input/2 Output Analog Combo Module (Cat. No. 1794-IE4XOE2 Series B)	4-9
Analog Combo Module (1794-IE4XOE2/B) Read	4-9
Word/Bit Descriptions for the 1794-IE4XOE2/B Analog Combo Module Read	4-9
Analog Combo Module (1794-IE4XOE2/B) Write Configuration Block	4-10
Range Selection Bits for the 1794-IE4XOE2/B Analog Combo Module	4-11
Word/Bit Descriptions for the 1794-IE4XOE2/B Analog Combo Module Write	4-11
Chapter Summary	4-12
How Communication Takes Place and I/O Image Table Mapping with the DeviceNet Adapter	5-1
Chapter Objectives	5-1
About DeviceNet Manager	5-1
Polled I/O Structure	5-1
Adapter Input Status Word	5-2
Mapping Data into the Image Table	5-3
8 Input Analog Module (Cat. No. 1794-IE8 Series B)	
Image Table Mapping	5-3
Analog Input Module (1794-IE8/B) Read	5-3
Analog Input Module (1794-IE8/B) Write	5-4
Range Selection Bits for the 1794-IE8/B Analog Input Module	5-4
Word/Bit Descriptions for the 1794-IE8/B Analog Input Module	5-4
4 Output Analog Module (1794-OE4 Series B) Image Table Mapping	5-6
Analog Output Module (1794-OE4/B) Read	5-6
Analog Output Module (1794-OE4/B) Write	5-6
Range Selection Bits for the 1794-OE4/B Analog Output Module (Write Word 6)	5-7
Word/Bit Descriptions for the 1794-OE4/B Analog Output Module	5-7
Analog Combo Module (1794-IE4XOE2 Series B)	
Image Table Mapping	5-9
Analog Combo Module (1794-IE4XOE2/B) Read	5-9
Analog Output Module (1794-IE4XOE2/B) Write	5-10
Range Selection Bits for the 1794-IE4XOE2 Analog Combo Module	5-10
Word/Bit Descriptions for the 1794-IE4XOE2 Analog Combo Module	5-10
Defaults	5-12

Specifications	<u>A-1</u>
Differences Between Series A and Series B Analog Modules	<u>B-1</u>
Data Table Formats	<u>C-1</u>
Two's Complement Binary	<u>C-1</u>
Analog Data Format	<u>C-2</u>
Scaling Example	<u>C-3</u>
Support Services	<u>C-1</u>
Technical Support	<u>C-1</u>
Engineering and Field Services	<u>C-1</u>
Technical Training	<u>C-1</u>
Repair and Exchange Services	<u>C-1</u>

Using This Manual

Purpose of this Manual

This manual shows you how to use your FLEX I/O Analog modules with Allen-Bradley programmable controllers. The manual helps you install, program and troubleshoot your modules.

Audience

You must be able to program and operate an Allen-Bradley programmable controller to make efficient use of your FLEX I/O modules. In particular, you must know how to program block transfers.

We assume that you know how to do this in this manual. If you do not, refer to the appropriate programming and operations manual before you attempt to program your modules.

Vocabulary

In this manual, we refer to:

- the analog input or analog output module as the “input module” or “output module”
- the Programmable Controller as the “controller”


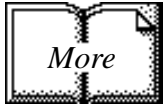
Manual Organization

This manual is divided into five chapters. The following chart lists each chapter with its corresponding title and a brief overview of the topics covered in that chapter.

Chapter	Title	Contents
1	Overview of FLEX I/O and Analog modules	Describes FLEX I/O Analog modules, features, and how they function
2	How to Install Your Analog Module	How to install and wire the modules
3	Module Programming	Explains block transfer programming, sample programs
4	Writing Configuration to and Reading Status From with a Remote I/O Adapter	Explains how to configure your modules and read status information from your modules when using a remote I/O adapter
5	How Communication Takes Place and I/O Image Table Mapping with the DeviceNet Adapter	Explains how you communicate with your modules, and how the I/O image is mapped when using a DeviceNet adapter
Appendix	Title	Contents
A	Specifications	Specifications for the analog modules
B	Differences Between Series A and Series B Analog Modules	Lists major differences between series.
C	Data Formats	Explains 2's complement and left justification of numbers

Conventions

We use these conventions in this manual:

In this manual, we show:	Like this:
that there is more information about a topic in another chapter in this manual	
that there is more information about the topic in another manual	

For Additional Information

For additional information on FLEX I/O systems and modules, refer to the following documents:

Catalog Number	Voltage	Description	Publications	
			Installation Instructions	User Manual
1794		1794 FLEX I/O Product Data	1794-2.1	
1794-ACN	24V dc	ControlNet Adapter	1794-5.8	
1794-ADN	24V dc	DeviceNet Adapter	1794-5.14	1794-6.5.5
1794-ASB	24V dc	Remote I/O Adapter	1794-5.11	1794-6.5.3
1794-TB2 1794-TB3		2-wire Terminal Base 3-wire Terminal Base	1794-5.2	
1794-TBN		Terminal Base Unit	1794-5.16	
1794-TBNF		Fused Terminal Base Unit	1794-5.17	
1794-TB3T		Temperature Terminal Base Unit	1794-5.41	
1794-IB16	24V dc	16 Input Module	1794-5.4	
1794-OB16	24V dc	16 Output Module	1794-5.3	
1794-IB10XOB6	24V dc	10 Input/6 Output Module	1794-5.24	
1794-IE8	24V dc	Selectable Analog 8 Input Module	1794-5.6	
1794-OE4	24V dc	Selectable Analog 4 Output Module	1794-5.5	1794-6.5.2
1794-IE4XOE2	24V dc	4 Input/2 Output Analog Module	1794-5.15	
1794-IR8	24V dc	8 RTD Input Analog Module	1794-5.22	1794-6.5.4
1794-IT8	24V dc	8 Thermocouple Input Module	1794-5.21	1794-6.5.7
1794-IB8S	24V dc	Sensor Input Module	1794-5.7	
1794-IA8	120V ac	8 Input Module	1794-5.9	
1794-OA8	120V ac	Output Module	1794-5.10	
1794-CE1		Extender Cable	1794-2.12	
1794-NM1		Mounting Kit	1794-2.13	
1794-PS1	24V dc	Power Supply	1794-5.35	

Overview of FLEX I/O and your Analog Modules

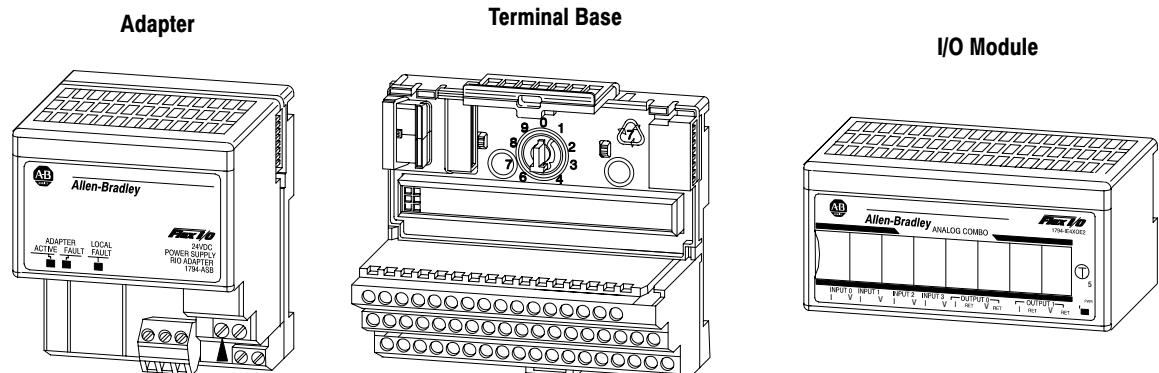
Chapter Objectives

In this chapter, we tell you about:

- what the FLEX I/O system is and what it contains
- types of FLEX I/O analog modules
- how FLEX I/O analog modules communicate with programmable controllers
- the features of your analog modules

The FLEX I/O System

FLEX I/O is a small, modular I/O system for distributed applications that performs all of the functions of rack-based I/O. The FLEX I/O system contains the following components shown below:



20125

- adapter/power supply – powers the internal logic for as many as eight I/O modules
- terminal base – contains a terminal strip to terminate wiring for two- or three-wire devices
- I/O module – contains the bus interface and circuitry needed to perform specific functions related to your application

Types of FLEX I/O Modules

We describe the following FLEX I/O Analog modules in this user manual:

Catalog Number	Voltage	Inputs	Outputs	Description
1794-IE8	24V dc	8	-	analog - 8 input, single-ended, non-isolated
1794-OE4	24V dc	-	4	analog - 4 output, single-ended, non-isolated
1794-IE4XOE2	24V dc	4	2	analog - 4 input, single-ended, non-isolated and 2 output, single-ended, non-isolated

FLEX I/O analog input, output and combination modules are block transfer modules that interface analog signals with any Allen-Bradley programmable controllers that have block transfer capability. Block transfer programming moves input from the module's memory to a designated area in the processor data table, and output data words from a designated area in the processor data table to the module's memory. Block transfer programming also moves configuration words from the processor data table to module memory.

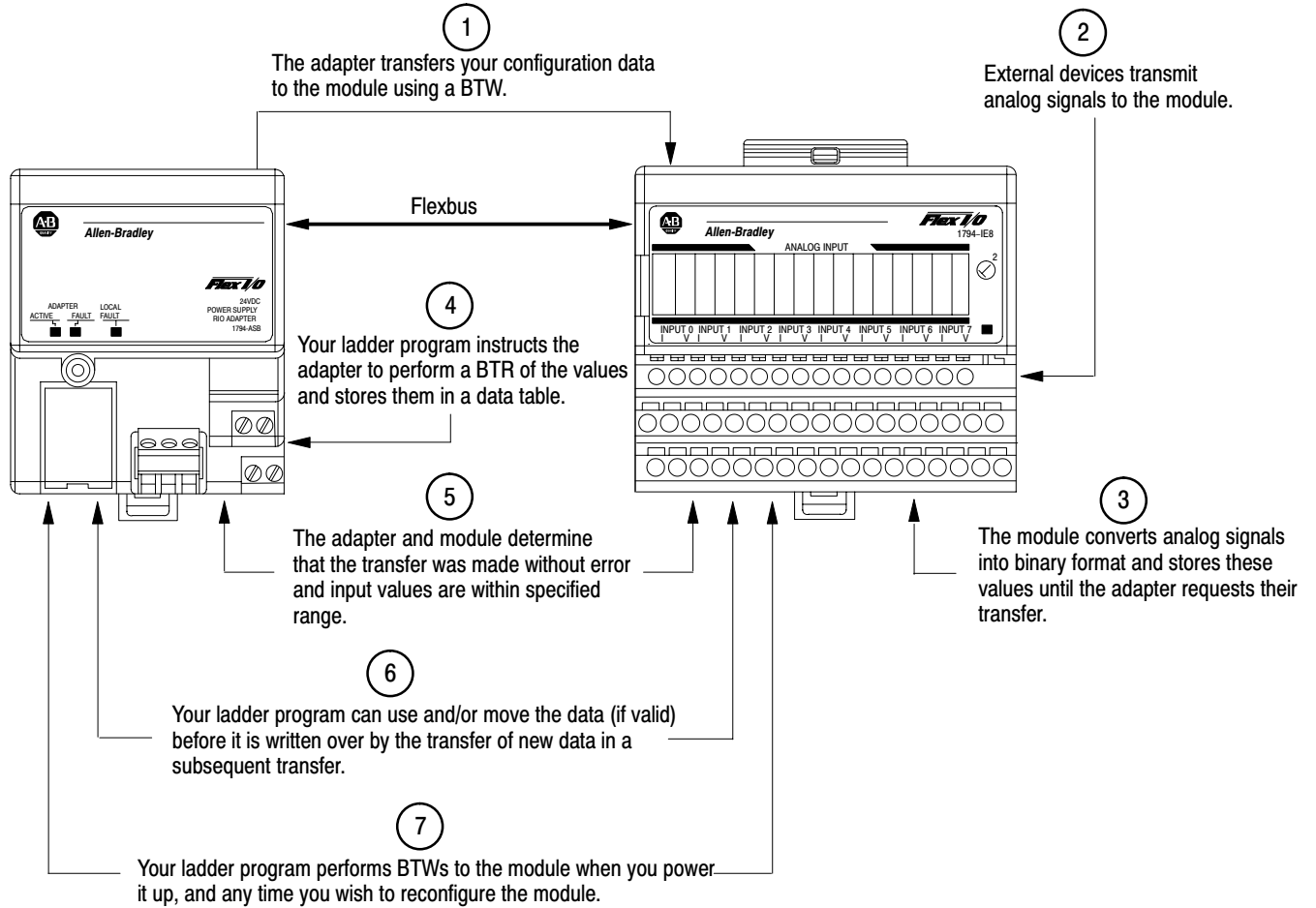
The analog modules have selectable ranges as shown in the table below:

Voltage	Current
0 to 10V dc	0 to 20mA
+/-10V dc	4 to 20mA

How FLEX I/O Analog Modules Communicate with Programmable Controllers

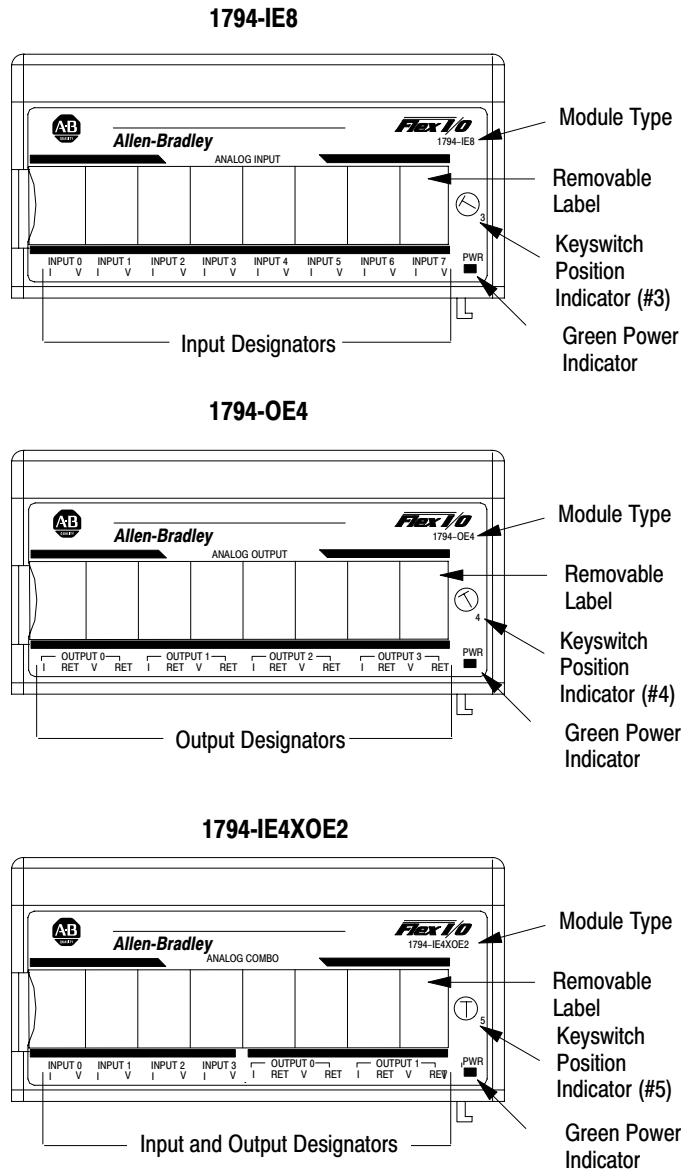
The adapter/power supply transfers data to the module (block transfer write) and from the module (block transfer read) using BTW and BTR instructions in your ladder diagram program. These instructions let the adapter obtain input values and status from the module, and let you send output values and establish the module's mode of operation. Figure 1.1 describes the communication process.

Figure 1.1
An Example of Communication Between an Adapter and an Analog Input Module



Features of your Analog Modules

Each module has a unique label identifying its keyswitch position, wiring and module type. A removable label provides space for writing individual designations per your application.



Chapter Summary

In this chapter you learned about the FLEX I/O system and the types of analog modules and how they communicate with programmable controllers.

How to Install Your Analog Module

Chapter Objectives

In this chapter, we tell you about:

- how to install your module
- how to set the module keyswitch
- how to wire the terminal base
- the indicators

Before You Install Your Analog Module

Before installing your analog module in the I/O chassis:

You need to:	As described under:
Calculate the power requirements of all modules in each chassis.	Power Requirements, page 2-2
Position the keyswitch on the terminal base	Installing the Module, page 2-4



ATTENTION: +24V dc power must be applied to your module before operation. If power is not applied, the module position will appear to the adapter as an empty slot in your chassis. If the adapter does not recognize your module after installation is completed, cycle power to the adapter.

Compliance to European Union Directives

If this product has the CE mark it is approved for installation within the European Union and EEA regions. It has been designed and tested to meet the following directives.

EMC Directive

This product is tested to meet Council Directive 89/336/EEC Electromagnetic Compatibility (EMC) and the following standards, in whole or in part, documented in a technical construction file:

- EN 50081-2EMC – Generic Emission Standard, Part 2 – Industrial Environment
- EN 50082-2EMC – Generic Immunity Standard, Part 2 – Industrial Environment

This product is intended for use in an industrial environment.

Low Voltage Directive

This product is tested to meet Council Directive 73/23/EEC Low Voltage, by applying the safety requirements of EN 61131-2 Programmable Controllers, Part 2 – Equipment Requirements and Tests.

For specific information required by EN 61131-2, see the appropriate sections in this publication, as well as the following Allen-Bradley publications:

- Industrial Automation Wiring and Grounding Guidelines For Noise Immunity, publication 1770-4.1
- Guidelines for Handling Lithium Batteries, publication AG-5.4
- Automation Systems Catalog, publication B111

Power Requirements

The wiring of the terminal base unit is determined by the current draw through the terminal base. Make certain that the current draw does not exceed 10A.



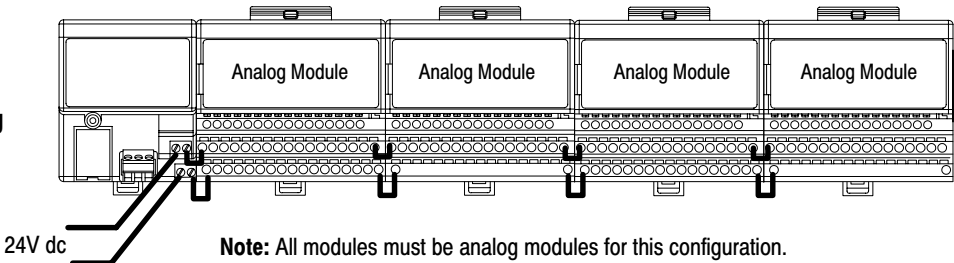
ATTENTION: Total current draw through the terminal base unit is limited to 10A. Separate power connections may be necessary.

Methods of wiring the terminal base units are shown in the illustration below.



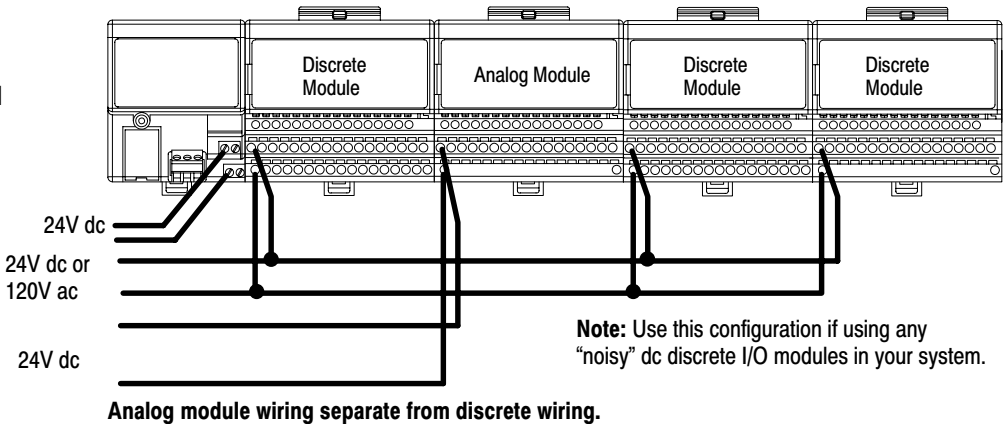
ATTENTION: Do not daisy chain power or ground from an analog terminal base unit to any ac or dc discrete module terminal base unit.

Daisy-chaining



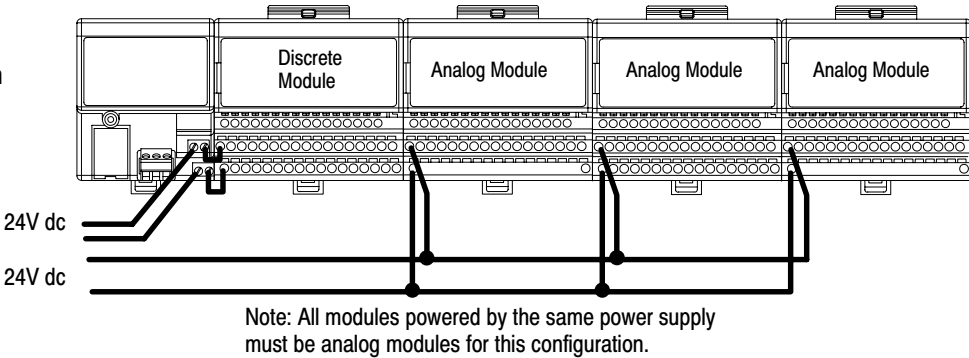
Wiring when total current draw is less than 10A

Individual



Wiring when total current draw is greater than 10A

Combination



Total current draw through any base unit must not be greater than 10A

Installing the Module

Installation of the analog module consists of:

- mounting the terminal base unit
- installing the analog module into the terminal base unit
- installing the connecting wiring to the terminal base unit

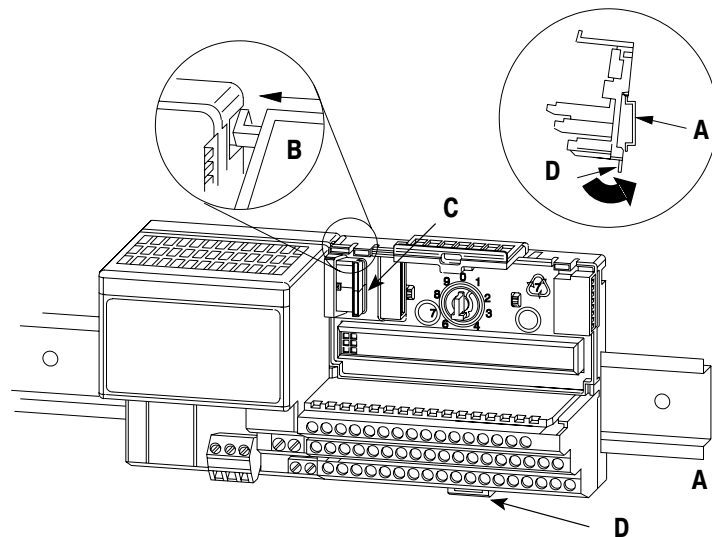
If you are installing your module into a terminal base unit that is already installed, proceed to “Mounting the Analog Module on the Terminal Base” on page 2-7.

Mounting the Terminal Base Unit on a DIN Rail



ATTENTION: Do not remove or replace a terminal base unit when power is applied. Interruption of the flexbus can result in unintended operation or machine motion.

1. Remove the cover plug (if used) in the male connector of the unit to which you are connecting this terminal base unit.
2. Check to make sure that the 16 pins in the male connector on the adjacent device are straight and in line so that the mating female connector on this terminal base unit will mate correctly.
3. Position the terminal base on the 35 x 7.5mm DIN rail **A** (A-B pt. no. 199-DR1; 46277-3; EN 50022) at a slight angle with hook **B** on the left side of the terminal base hooked into the right side of the unit on the left.



4. Make certain that the female flexbus connector **C** is **fully retracted into the base unit**.

5. Rotate the terminal base onto the DIN rail with the top of the rail hooked under the lip on the rear of the terminal base. **Use caution to make sure that the female flexbus connector does not strike any of the pins in the mating male connector.**
6. Press the terminal base down onto the DIN rail until flush. The locking tab **D** will snap into position and lock the terminal base to the DIN rail.
7. If the terminal base does not lock in place, use a screwdriver or similar device to move the locking tab down, press the terminal base flush with the DIN rail and release the locking tab to lock the base in place.
8. Gently push the female flexbus connector **C** into the adjacent terminal base or adapter female connector to complete the flexbus connections.
9. Repeat the above steps to install the next terminal base.

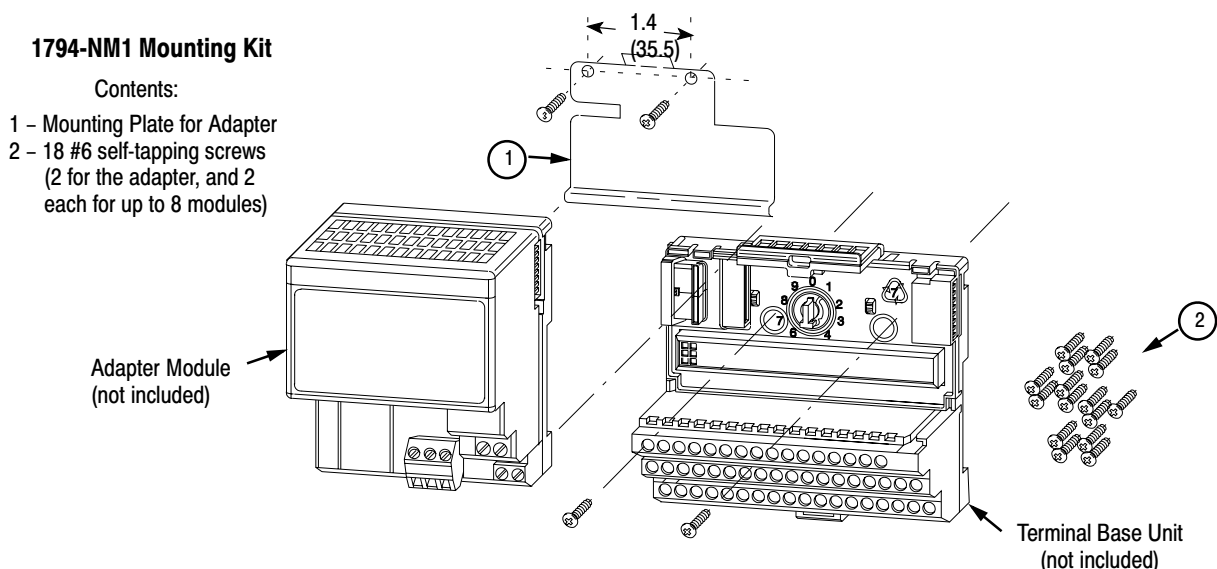
Panel/Wall Mounting

Installation on a wall or panel consists of:

- laying out the drilling points on the wall or panel
- drilling the pilot holes for the mounting screws
- mounting the adapter mounting plate
- installing the terminal base units and securing them to the wall or panel

If you are installing your module into a terminal base unit that is already installed, proceed to “Mounting the Analog Module on the Terminal Base” on page 2-7.

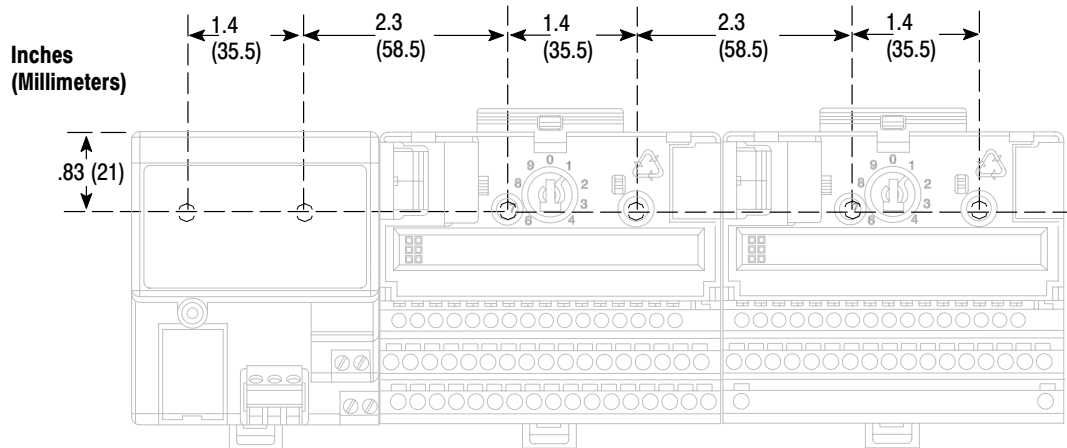
Use the mounting kit Cat. No. 1794-NM1 for panel/wall mounting.



To install the mounting plate on a wall or panel:

1. Lay out the required points on the wall/panel as shown in the drilling dimension drawing.

Drilling Dimensions for Panel/Wall Mounting of FLEX I/O



2. Drill the necessary holes for the #6 self-tapping mounting screws.
3. Mount the mounting plate (1) for the adapter module using two #6 self-tapping screws (18 included for mounting up to 8 modules and the adapter).

Important: Make certain that the mounting plate is properly grounded to the panel. Refer to “Industrial Automation Wiring and Grounding Guidelines,” publication 1770-4.1.

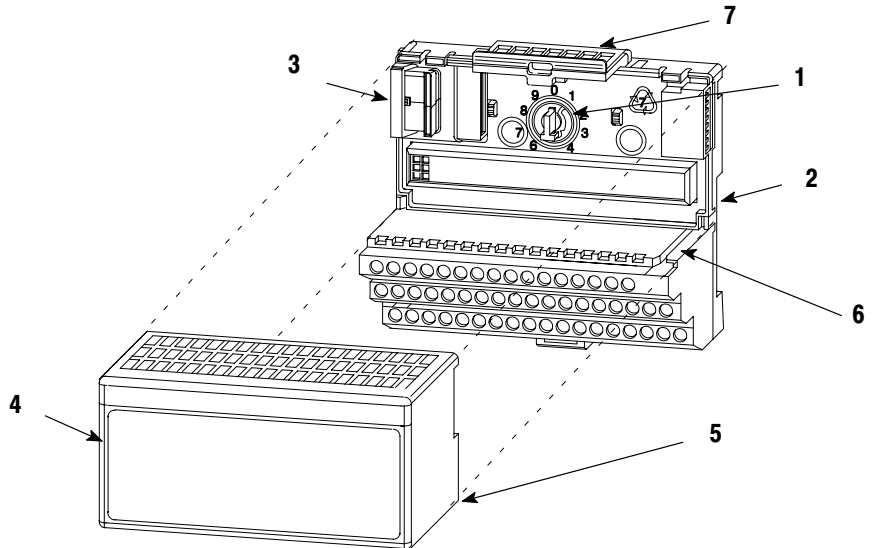


4. Hold the adapter (2) at a slight angle and engage the top of the mounting plate in the indentation on the rear of the adapter module.
5. Press the adapter down flush with the panel until the locking lever locks.
6. Position the terminal base unit up against the adapter and push the female bus connector into the adapter.
7. Secure to the wall with two #6 self-tapping screws.
8. Repeat for each remaining terminal base unit.

Note: The adapter is capable of addressing eight modules. Do not exceed a maximum of eight terminal base units in your system.

Mounting the Analog Module on the Terminal Base Unit

1. Rotate the keyswitch (1) on the terminal base unit (2) clockwise to the position required for the specific type of analog module.



Analog Module Cat. No.	Keyswitch Position
1794-IE8	3
1794-OE4	4
1794-IE4XOE2	5

2. Make certain the flexbus connector (3) is pushed all the way to the left to connect with the neighboring terminal base/adaptor. **You cannot install the module unless the connector is fully extended.**
3. Make sure that the pins on the bottom of the module are straight so they will align properly with the connector in the terminal base unit.
4. Position the module (4) with its alignment bar (5) aligned with the groove (6) on the terminal base.
5. Press firmly and evenly to seat the module in the terminal base unit. The module is seated when the latching mechanism (7) is locked into the module.
6. Repeat the above steps to install the next module in its terminal base unit.



ATTENTION: Remove field-side power before removing or inserting the module. This module is designed so you can remove and insert it under backplane power. When you remove or insert a module with field-side power applied, an electrical arc may occur. An electrical arc can cause personal injury or property damage by:

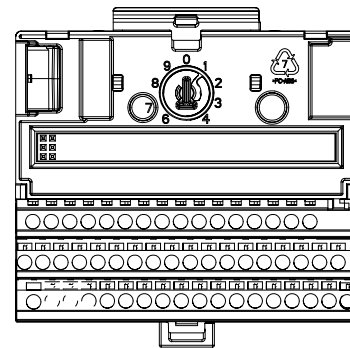
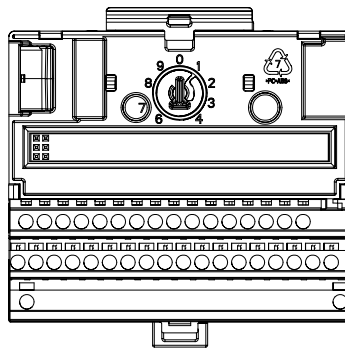
- sending an erroneous signal to your system's field devices causing unintended machine motion
- causing an explosion in a hazardous environment

Repeated electrical arcing causes excessive wear to contacts on both the module and its mating connector. Worn contacts may create electrical resistance.

Wiring to the analog modules is made through the terminal base unit on which the module mounts.

Refer to the following table for recommended terminal base units that you can use for each module.

Module	1794-TB2	1794-TB3
1794-IE8	Yes	Yes
1794-OE4	Yes	Yes
1794-IE4XOE2	Yes	Yes



Connecting Wiring using a 1794-TB2 or -TB3 Terminal Base Unit

1. Connect the individual signal wiring to numbered terminals on the **0-15** row (A) on the terminal base unit. (Use Belden 8761 cable for signal wiring.)



ATTENTION: Connect only one current or one voltage signal per channel. Do not connect both current and voltage on one channel.

2. Connect each channel common to:
 - 1794-IE8 – the associated terminal on row **B**.
 - 1794-OE4 – the corresponding terminal on the same row (A)
 - 1794-IE4XOE2 – inputs – the associated terminal on row **B**;
 - outputs – the corresponding terminal on the same row (A).
3. Connect +24V dc to terminal 34 on the **34-51** row (C), and 24V common to terminal 16 on the **16-33** row (B).

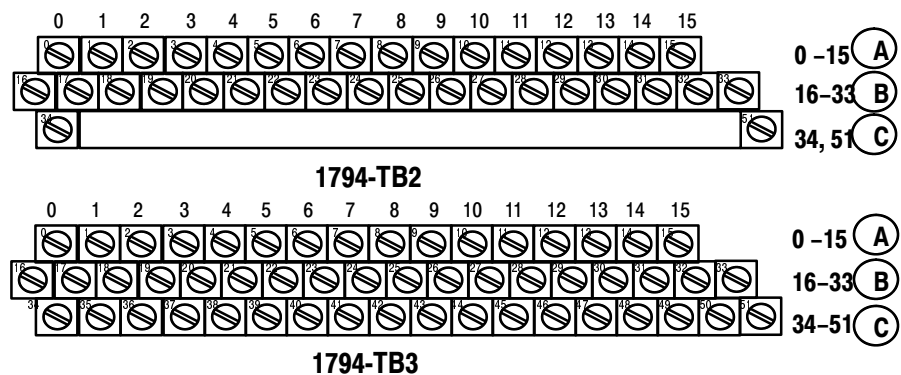


ATTENTION: To reduce susceptibility to noise, power analog modules and discrete modules from separate power supplies. Do not exceed a length of 33 ft (10m) for dc power cabling.



ATTENTION: Remove field-side power before removing or inserting the module. This module is designed so you can remove and insert it under backplane power. When you remove or insert a module with field-side power applied, an electrical arc may occur. An electrical arc can cause personal injury or property damage by:

- sending an erroneous signal to your system's field devices causing unintended machine motion
 - causing an explosion in a hazardous environment
- Repeated electrical arcing causes excessive wear to contacts on both the module and its mating connector. Worn contacts may create electrical resistance.



4. If daisy chaining the +24V dc power to the next base unit, connect a jumper from terminal 51 on this base unit to terminal 34 on the next base unit. Connect the 24V dc common/return from terminal 33 on this base unit to terminal 16 on the next base unit.



ATTENTION: +24V dc power must be applied to your module before operation. If power is not applied, the module position will appear to the adapter as an empty slot in your chassis. If the adapter does not recognize your module after installation is completed, cycle power to the adapter.

Table 2.A
Wiring connections for 1794-TB2, and -TB3 Terminal Base Units when using the 1794-IE8 Analog Module

Channel	Signal Type	Label Markings	1794-TB2, 1794-TB3	
			Signal Terminal	24V dc Common Terminal
0	Current	I	0	17
	Voltage	V	1	18
1	Current	I	2	19
	Voltage	V	3	20
2	Current	I	4	21
	Voltage	V	5	22
3	Current	I	6	23
	Voltage	V	7	24
4	Current	I	8	25
	Voltage	V	9	26
5	Current	I	10	27
	Voltage	V	11	28
6	Current	I	12	29
	Voltage	V	13	30
7	Current	I	14	31
	Voltage	V	15	32
	24V dc Common		16 thru 33 ¹	
	+24V dc power		1794-TB2 – 34 and 51 1794-TB3 – 34 thru 51	

¹ Terminals 16 thru 33 are internally connected in the terminal base unit

Table 2.B
Wiring connections for 1794-TB2 and -TB3 Terminal Base Units
when using the 1794-OE4 Analog Module

Channel	Type	Label Marking	1794-TB2, -TB3
			Signal Terminal
0	Current Signal	I	0
	Current Common	RET	1 ¹
	Voltage Signal	V	2
	Voltage Common	RET	3 ¹
1	Current Signal	I	4
	Current Common	RET	5 ¹
	Voltage Signal	V	6
	Voltage Common	RET	7 ¹
2	Current Signal	I	8
	Current Common	RET	9 ¹
	Voltage Signal	V	10
	Voltage Common	RET	11 ¹
3	Current Signal	I	12
	Current Common	RET	13 ¹
	Voltage Signal	V	14
	Voltage Common	RET	15 ¹
	24V dc Common		16 thru 33 ²
	+24V dc		1794-TB2 – 34 and 51 1794-TB3 – 34 thru 51

¹ Terminals 1, 3, 5, 7, 9, 11, 13, and 15 are internally connected in the module to 24V dc common.

² Terminals 16 thru 33 are internally connected in the terminal base unit.

Table 2.C
Wiring connections for 1794-TB2, and -TB3 Terminal Base Units
when using the 1794-IE4XOE2 Analog Module

Channel	Signal Type	Label Markings	1794-TB2, 1794-TB3	
			Signal Terminal	24V dc Common Terminal
Input				
0	Current	I	0	17
	Voltage	V	1	18
1	Current	I	2	19
	Voltage	V	3	20
2	Current	I	4	21
	Voltage	V	5	22
3	Current	I	6	23
	Voltage	V	7	24
Output				
0	Current Signal	I	8	
	Current Common	RET	9 ¹	
	Voltage Signal	V	10	
	Voltage Common	RET	11 ¹	
1	Current Signal	I	12	
	Current Common	RET	13 ¹	
	Voltage Signal	V	14	
	Voltage Common	RET	15 ¹	
	24V dc Common		16 thru 33 ²	
	+24V dc power		1794-TB2 – 34 and 51 1794-TB3 – 34 thru 51	

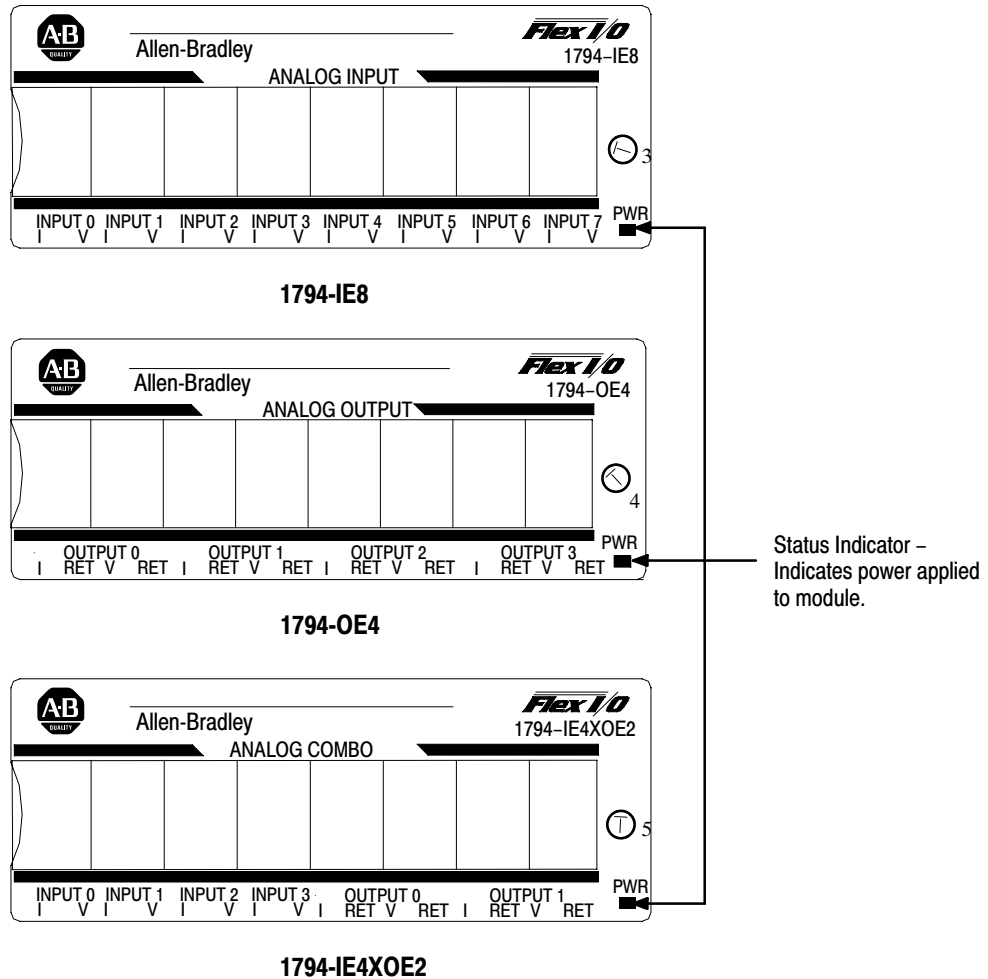
¹ Terminals 9, 11, 13, and 15 are internally connected in the module to 24V dc common.
² Terminals 16 thru 33 are internally connected in the terminal base unit.



ATTENTION: Total current draw through the terminal base unit is limited to 10A. Separate power connections to the terminal base unit may be necessary.

Module Indicators

The analog modules have one status indicator that is on when power is applied to the module.



Chapter Summary

In this chapter you learned how to install your input module in an existing programmable controller system and how to wire to the terminal base units.

Module Programming

Chapter Objectives

In this chapter, we tell you about:

- analog data format
- block transfer programming
- sample programs for the PLC-3 and PLC-5 processors

Block Transfer Programming

Your module communicates with the processor through bidirectional block transfers. This is the sequential operation of both read and write block transfer instructions.

A configuration block transfer write (BTW) is initiated when the analog module is first powered up, and subsequently only when the programmer wants to enable or disable features of the module. The configuration BTW sets the bits which enable the programmable features of the module, such as scaling, alarms, ranges, etc. Block transfer reads are performed to retrieve information from the module.

Block transfer read (BTR) programming moves status and data from the module to the processor's data table. The processor user program initiates the request to transfer data from the module to the processor. The transferred words contain module status, channel status and input data from the module.



ATTENTION: If the analog module is not powered up before the remote I/O adapter, the adapter will not recognize the module. Make certain that the analog module is installed and powered before or simultaneously with the remote I/O adapter. If the adapter does not establish communication with the module, cycle power to the adapter.

The following sample programs are minimum programs; all rungs and conditioning must be included in your application program. You can disable BTRs, or add interlocks to prevent writes if desired. Do not eliminate any storage bits or interlocks included in the sample programs. If interlocks are removed, the program may not work properly.

Your program should monitor status bits, block transfer read and block transfer write activity.

Sample programs for Flex I/O Analog Modules

The following sample programs show you how to use your analog module efficiently when operating with a programmable controller.

These programs show you how to:

- configure the module
- read data from the module
- update the module's output channels (if used)

These programs illustrate the minimum programming required for communication to take place.

PLC-3 Programming

Block transfer instructions with the PLC-3 processor use one binary file in a data table section for module location and other related data. This is the block transfer control file. The block transfer data file stores data that you want transferred to your module (when programming a block transfer write) or from your module (when programming a block transfer read). The address of the block transfer data files are stored in the block transfer control file.

The same block transfer control file is used for both the read and write instructions for your module. A different block transfer control file is required for every module.

A sample program segment with block transfer instructions is shown in Figure 3.1, and described below.

Figure 3.1
PLC-3 Family Sample Program Structure for a 1794-IE8 Module

Program Action

At power-up in RUN mode, or when the processor is switched from PROG to RUN, the user program enables a block transfer read. Then it initiates a block transfer write to configure the module if the power-up bit is set.

Thereafter, the program continuously performs read block transfers.

Note: You must create the data file for the block transfers before you enter the block transfer instructions.

The pushbutton allows the user to manually request a block transfer write to configure the module.

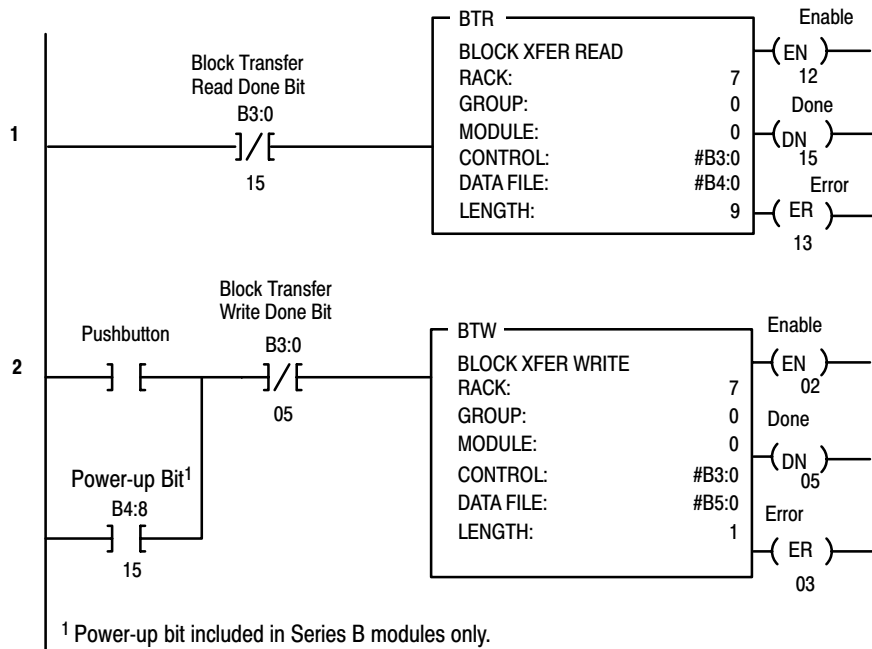


Figure 3.2
PLC-3 Family Sample Program Structure for a 1794-OE4 Module

Program Action

At power-up in RUN mode, or when the processor is switched from PROG to RUN, the user program enables a block transfer read. Then it initiates a block transfer write to configure the module and send data values.

Thereafter, the program continuously performs read block transfers and write block transfers.

Note: You must create the data file for the block transfers before you enter the block transfer instructions.

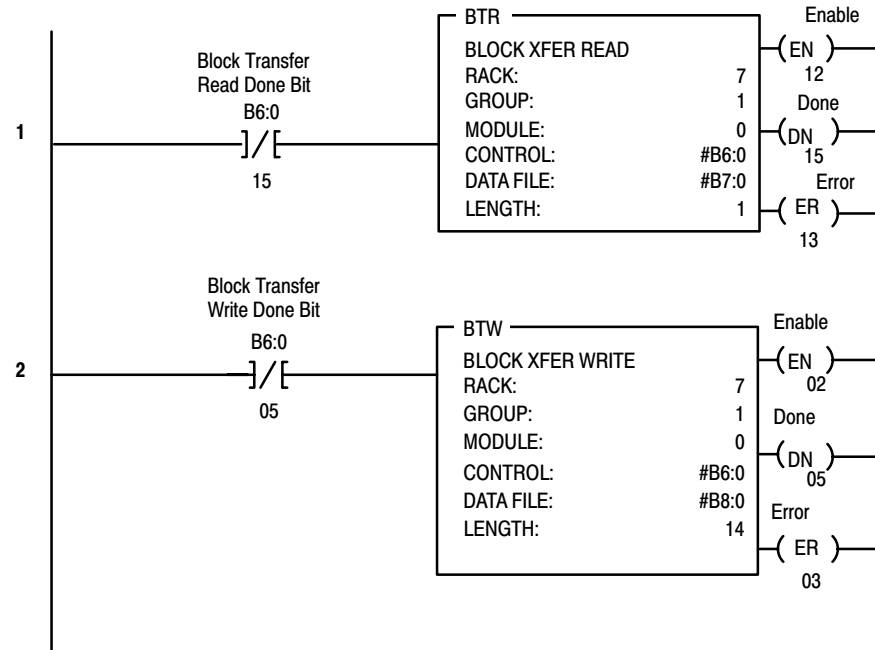


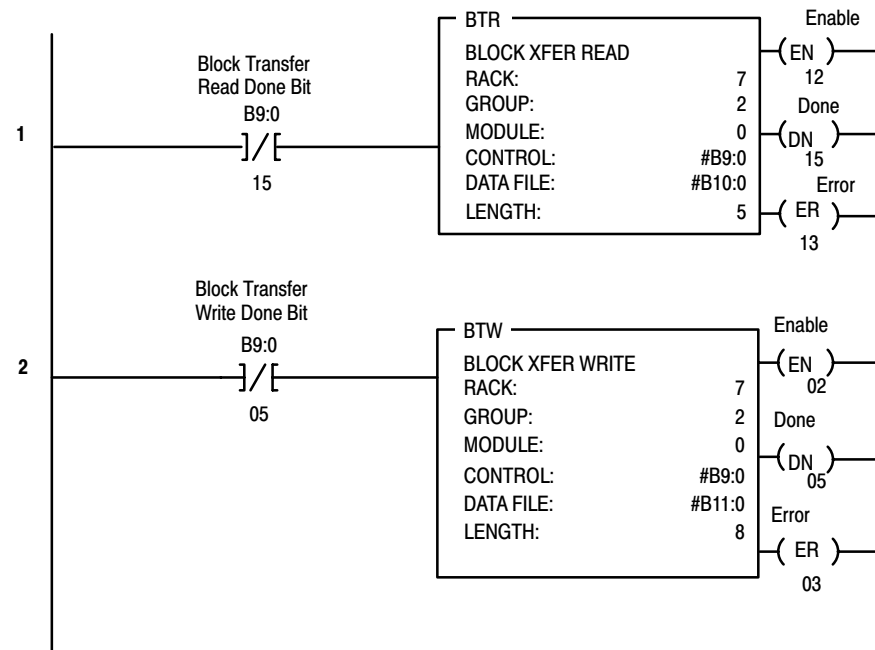
Figure 3.3
PLC-3 Family Sample Program Structure for a 1794-IE4XOE2 Module

Program Action

At power-up in RUN mode, or when the processor is switched from PROG to RUN, the user program enables a block transfer read. Then it initiates a block transfer write to configure the module and send data values

Thereafter, the program continuously performs read block transfers and write block transfers.

Note: You must create the data file for the block transfers before you enter the block transfer instructions.



PLC-5 Programming

The PLC-5 program is very similar to the PLC-3 program with the following exceptions:

- block transfer enable bits are used instead of done bits as the conditions on each rung.
- separate block transfer control files are used for the block transfer instructions.

Figure 3.4
PLC-5 Family Sample Program Structure for the 1794-IE8

Program Action

At power-up in RUN mode, or when the processor is switched from PROG to RUN, the user program enables a block transfer read. Then it initiates a block transfer write to configure the module if the power-up bit is set.

Thereafter, the program continuously performs read block transfers to configure the module.

The pushbutton allows the user to manually request a block transfer write.

¹ Power-up bit included in Series B modules only.

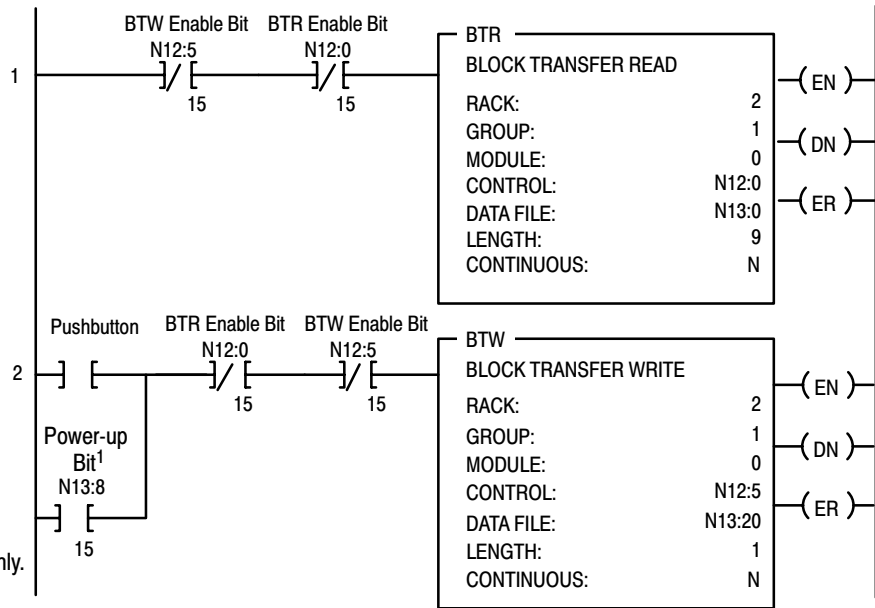


Figure 3.5
PLC-5 Family Sample Program Structure for the 1794-OE4

Program Action

At power-up in RUN mode, or when the processor is switched from PROG to RUN, the user program enables a block transfer read. Then it initiates a block transfer write to configure the module and send data values.

Thereafter, the program continuously performs read block transfers and write block transfers.

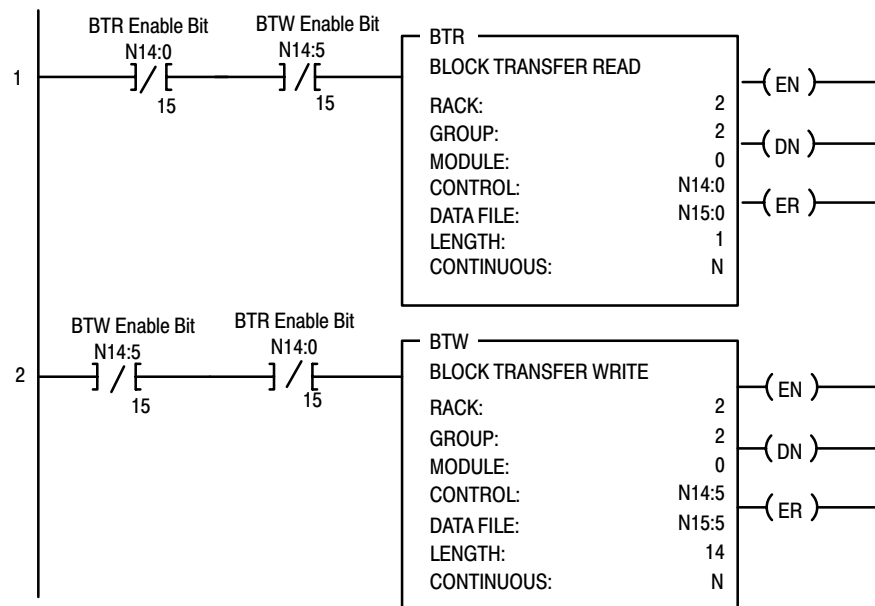
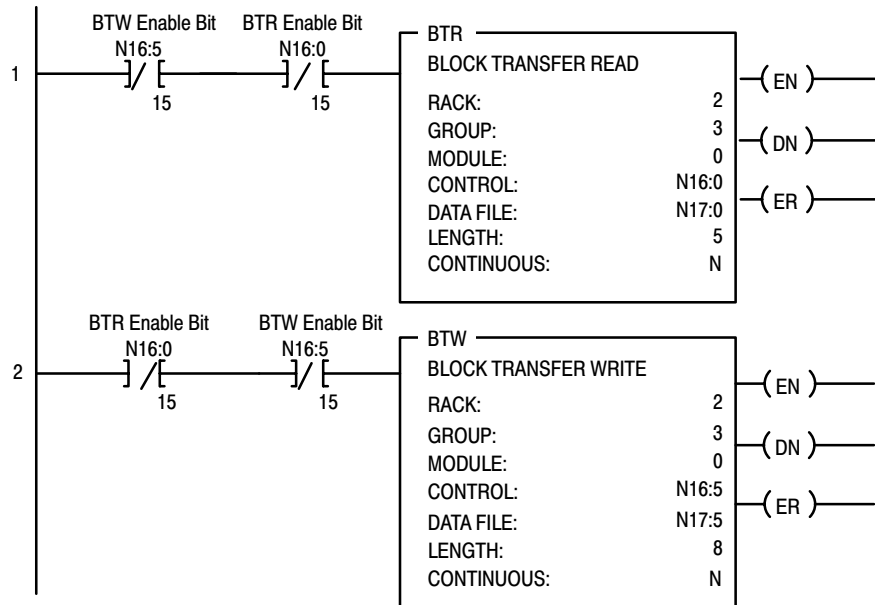


Figure 3.6
PLC-5 Family Sample Program Structure for the 1794-IE4XOE2

Program Action

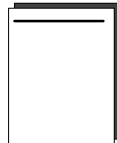
At power-up in RUN mode, or when the processor is switched from PROG to RUN, the user program enables a block transfer read. Then it initiates a block transfer read to configure the module and send data values.

Thereafter, the program continuously performs read block transfers and write block transfers.



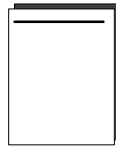
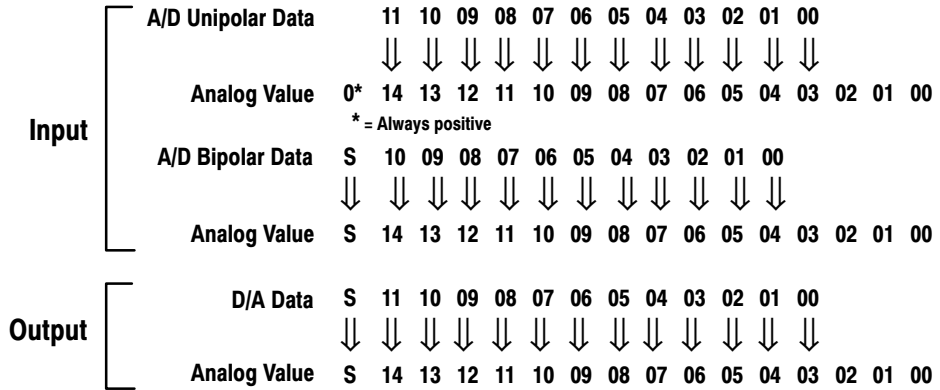
PLC-2 Programming

The 1794 analog I/O modules are not recommended for use with PLC-2 family programmable controllers due to the number of digits needed for high resolution. In addition, the data returned from the analog-to-digital converter in the module is 12-bit resolute. This value is left-justified into a 16-bit field, reserving the most significant bit for a sign bit. Refer to Appendix B for more information.



Analog Data Format

The data returned from the analog-to-digital converter in the module is 12-bit resolute. This value is left-justified into a 16-bit field, reserving the most significant bit for a sign bit.



Refer to Appendix C for a table of values for various current and voltage modes.

Appendix C also includes an example of scaling.

Chapter Summary

In this chapter, you learned how to program your programmable controller. You were given sample programs for your PLC-3 and PLC-5 family processors.

Writing Configuration to and Reading Status from Your Module with a Remote I/O Adapter

Chapter Objectives

In this chapter, we tell you about:

- configuring your module's features
- entering your data
- reading data from your module
- read block format

Configuring Your Analog Module

Because of the many analog devices available and the wide variety of possible configurations, you must configure your module to conform to the analog device and specific application that you have chosen. The module is configured using a group of data table words that are transferred to the module using a block transfer write instruction.

The software configurable features available are:

- input/output range selection, including full range and bipolar
- safe state operating value (customer selected analog values the module will maintain in the event of a network communication error)

Note: PLC-5 family programmable controllers that use 6200 software programming tools can take advantage of the IOCONFIG utility to configure these modules. IOCONFIG uses menu-based screens for configuration without having to set individual bits in particular locations. Refer to your 6200 software literature for details.

Range Selection

Individual input channels are configurable to operate with the following voltage or current ranges:

Ranges	Bit Settings	
	Configure Select	Full Range
0-10V dc/0-20mA	0	1
4-20mA	1	0
-10 to +10V dc	1	1
Off	0	0

¹ When configured to Off, individual output channels will drive 0V/0mA.



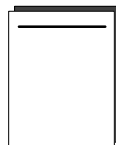
ATTENTION: If using Series A modules, do not use configure select and full range bit settings of 0. Individual channels revert to 4-20mA with bit selections of all zeroes. This could result in unwanted or incorrect action.

You can select individual channel ranges using the designated words of the write block transfer instruction. Refer to the Bit/Word description for your particular module for word and bit numbers.

Safe State Value Selection

You can select the analog values that your output module will maintain in the event of a network communication error. When the multiplex control bits (M) are cleared simultaneously by a communication error, (or by the user), the analog outputs will automatically switch to the values set in the safe state analog words. This allows you to define a safe operating state for controlled devices which depend on the analog output from the module.

Data Format



The data returned from the analog-to-digital converter in the module is 12-bit resolute. This value is left-justified into a 16-bit field, reserving the most significant bit for a sign bit. The 4-20mA mode scales in the module and uses all 16 bits.

Refer to Appendix C for a table of values for various current and voltage modes, and an example of scaling to engineering terms.

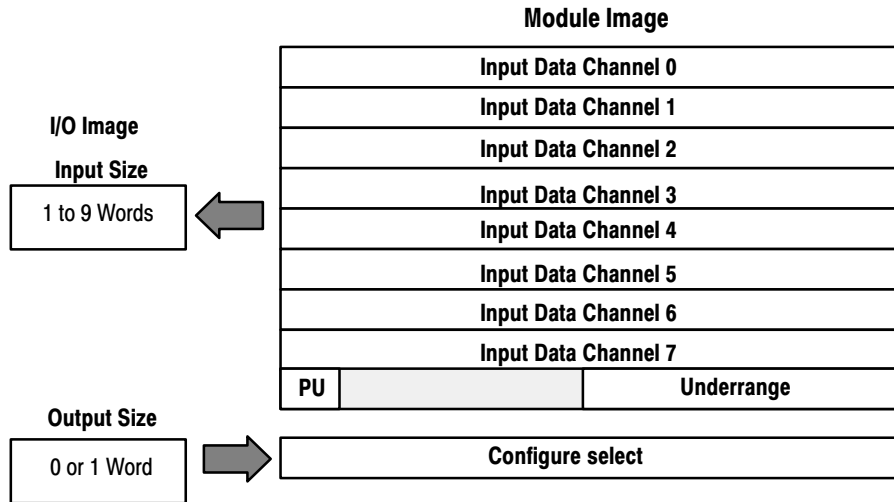
Reading Data From Your Module

Read programming moves status and data from the module to the processor's data table. The processor's user program initiates the request to transfer data from the input module to the processor.

Mapping Data for the Analog Modules

The following read and write words and bit/word descriptions describe the information written to and read from the analog modules. Each word is composed of 16 bits.

8 Input Analog Module (Cat. No. 1794-IE8 Series B)



Analog Input Module (1794-IE8) Read

Word/Dec. Bit	15	14	13	12	11	10	09	08	07	06	05	04	03	02	01	00
Word/Octal Bit	17	16	15	14	13	12	11	10	07	06	05	04	03	02	01	00
Read Word 0	S	Analog Value Channel 0														
Word 1	S	Analog Value Channel 1														
Word 2	S	Analog Value Channel 2														
Word 3	S	Analog Value Channel 3														
Word 4	S	Analog Value Channel 4														
Word 5	S	Analog Value Channel 5														
Word 6	S	Analog Value Channel 6														
Word 7	S	Analog Value Channel 7														
Word 8	PU	Not used – set to zero							U7	U6	U5	U4	U3	U2	U1	U0

Where: S = sign bit (in 2's complement)
 U = Underrange bits for 4-20mA inputs
 PU = Power up bit

Word/Bit Descriptions for the 1794-IE8 Analog Input Module Read

Word	Decimal Bit (Octal Bit)	Definition
Read Word 0	Bits 00-14 (00-16)	Channel 0 analog data – 12-bit left justified two's complement number; unused lower bits are zero; 4-20mA uses all 16 bits.
	Bits 15 (17)	Channel 0 analog data sign bit.
Word 1	Bits 00-14 (00-16)	Channel 1 analog data – 12-bit left justified two's complement number; unused lower bits are zero; 4-20mA uses all 16 bits.
	Bits 15 (17)	Channel 1 analog data sign bit.
Word 2	Bits 00-14 (00-16)	Channel 2 analog data – 12-bit left justified two's complement number; unused lower bits are zero; 4-20mA uses all 16 bits.
	Bits 15 (17)	Channel 2 analog data sign bit.
Word 3	Bits 00-14 (00-16)	Channel 3 analog data – 12-bit left justified two's complement number; unused lower bits are zero; 4-20mA uses all 16 bits.
	Bits 15 (17)	Channel 3 analog data sign bit.
Word 4	Bits 00-14 (00-16)	Channel 4 analog data – 12-bit left justified two's complement number; unused lower bits are zero; 4-20mA uses all 16 bits.
	Bits 15 (17)	Channel 4 analog data sign bit.
Word 5	Bits 00-14 (00-16)	Channel 5 analog data – 12-bit left justified two's complement number; unused lower bits are zero; 4-20mA uses all 16 bits.
	Bits 15 (17)	Channel 5 analog data sign bit.
Word 6	Bits 00-14 (00-16)	Channel 6 analog data – 12-bit left justified two's complement number; unused lower bits are zero; 4-20mA uses all 16 bits.
	Bits 15 (17)	Channel 6 analog data sign bit.
Word 7	Bits 00-14 (00-16)	Channel 7 analog data – 12-bit left justified two's complement number; unused lower bits are zero; 4-20mA uses all 16 bits.
	Bits 15 (17)	Channel 7 analog data sign bit.
Word 8	Bits 00-07	Underrange bits (U) for individual channels (4-20mA current input only)– Bit 00 corresponds to input channel 0, bit 01 corresponds to input channel 1, and so on. When set (1), indicates either a broken or open input wire, or input current at or below 4mA.
	Bits 08-14 (10-16)	Not used – set to 0.
	Bit 15 (17)	Power Up bit – included in series B modules only. This bit is always 0 in series A modules. This bit is set to 1 when all bits in the configuration register (write word 0) are 0 (unconfigured state). The configuration register can be cleared by either a reset, or by the user writing all zeroes to it.

Analog Input Module (1794-IE8/B) Write Configuration Block

Word/Dec. Bit	15	14	13	12	11	10	09	08	07	06	05	04	03	02	01	00
Word/Octal Bit	17	16	15	14	13	12	11	10	07	06	05	04	03	02	01	00
Write Word 0	C7	C6	C5	C4	C3	C2	C1	C0	F7	F6	F5	F4	F3	F2	F1	F0

Where: C = Configure select bit
F = Full range bit

Range Selection Bits for the 1794-IE8/B Analog Input Module

Channel No.	Channel 0		Channel 1		Channel 2		Channel 3		Channel 4		Channel 5		Channel 6		Channel 7	
	F0	C0	F1	C1	F2	C2	F3	C3	F4	C4	F5	C5	F6	C6	F7	C7
Decimal Bits (Octal Bits)	00	08 (10)	01	09 (11)	02	10 (12)	03	11 (13)	04	12 (14)	05	13 (15)	06	14 (16)	07	15 (17)
0–10V dc/0–20mA	1	0	1	0	1	0	1	0	1	0	1	0	1	0	1	0
4–20mA	0	1	0	1	0	1	0	1	0	1	0	1	0	1	0	1
-10 to +10V dc	1	1	1	1	1	1	1	1	1	1	1	1	1	1	1	1
Off ¹	0	0	0	0	0	0	0	0	0	0	0	0	0	0	0	0

C = Configure select bit

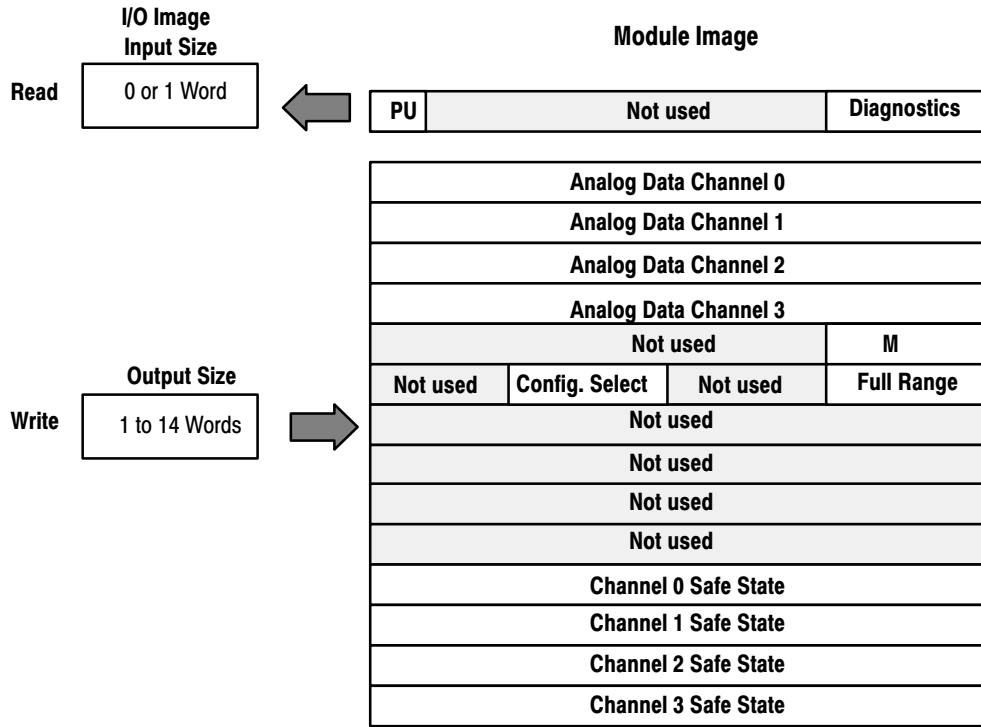
F = Full range bit

¹ When configured to off, individual channels will return 0000H on Series B modules, and 4 to 20mA on Series A modules.

Word/Bit Descriptions for the 1794-IE8/B Analog Input Module Write

Word	Decimal Bit (Octal Bit)	Definition
Write Word 0	Bits 00–07	Full range bits (F) for individual channels – Bit 00 corresponds to input channel 0, bit 01 corresponds to input channel 1, and so on.
	Bits 08–15 (10-17)	Configure select bits (C) for individual channels – Bit 08 corresponds to input channel 0, bit 09 corresponds to input channel 1, and so on. Refer to Range Bit Selections.

4 Output Analog Module (Cat. No. 1794-OE4 Series B)



Analog Output Module (1794-OE4/B) Read

Word/Dec. Bit	15	14	13	12	11	10	09	08	07	06	05	04	03	02	01	00
Word/Octal Bit	17	16	15	14	13	12	11	10	07	06	05	04	03	02	01	00
Read Word 0	PU	Not used – set to 0											W3	W2	W1	W0

Where: W = Diagnostic bits for current output wire broken or load resistance high. (Not used on voltage outputs.)
 PU = Power up bit

Bit/Word Descriptions for the 1794-OE4/B Analog Output Module Read

Word	Decimal Bit (Octal Bit)	Definition
Read Word 0	Bits 00-03	Current outputs only – When set (1), the wire on the output is broken or the load resistance is too high. Bit 00 corresponds to channel 0, bit 01 corresponds to channel 2, and so on.
	Bits 04-14 (04-16)	Not used – set to 0
	Bit 15 (17)	Power Up bit – included in series B modules only. This bit is always 0 in series A modules. This bit is set to 1 when all bits in the configuration register (write word 5) are 0 (unconfigured state). The configuration register can be cleared by either a reset, or by the user writing all zeroes to it.

Analog Output Module (1794-OE4/B) Write Configuration Block

Word/Dec. Bit	15	14	13	12	11	10	09	08	07	06	05	04	03	02	01	00
Word/Octal Bit	17	16	15	14	13	12	11	10	07	06	05	04	03	02	01	00
Write Word 0	S	Analog Data – Channel 0														
Word 1	S	Analog Data – Channel 1														
Word 2	S	Analog Data – Channel 2														
Word 3	S	Analog Data – Channel 3														
Word 4	0	Not used – set to 0											M3	M2	M1	M0
Word 5	0	Not used – set to 0			C3	C2	C1	C0	Not used – set to 0				F3	F2	F1	F0
Word 6 thru 9	Not used – set to 0															
Word 10	S	Safe State Value – Channel 0														
Word 11	S	Safe State Value – Channel 1														
Word 12	S	Safe State Value – Channel 2														
Word 13	S	Safe State Value – Channel 3														

Where:
 S = Sign bit (in 2's complement)
 M = Multiplex control
 C = Configure select bit
 F = Full range bit

Range Selection Bits for the 1794-OE4/B Analog Output Module (Word 5)

Channel No.	Channel 0		Channel 1		Channel 2		Channel 3	
	F0	C0	F1	C1	F2	C2	F3	C3
Decimal Bits (Octal Bits)	00	08 (10)	01	09 (11)	02	10 (12)	03	11 (13)
4–20mA	0	1	0	1	0	1	0	1
0–10V dc/0–20mA	1	0	1	0	1	0	1	0
-10 to +10V dc	1	1	1	1	1	1	1	1
Off ¹	0	0	0	0	0	0	0	0

C = Configure select bit

F = Full range bit

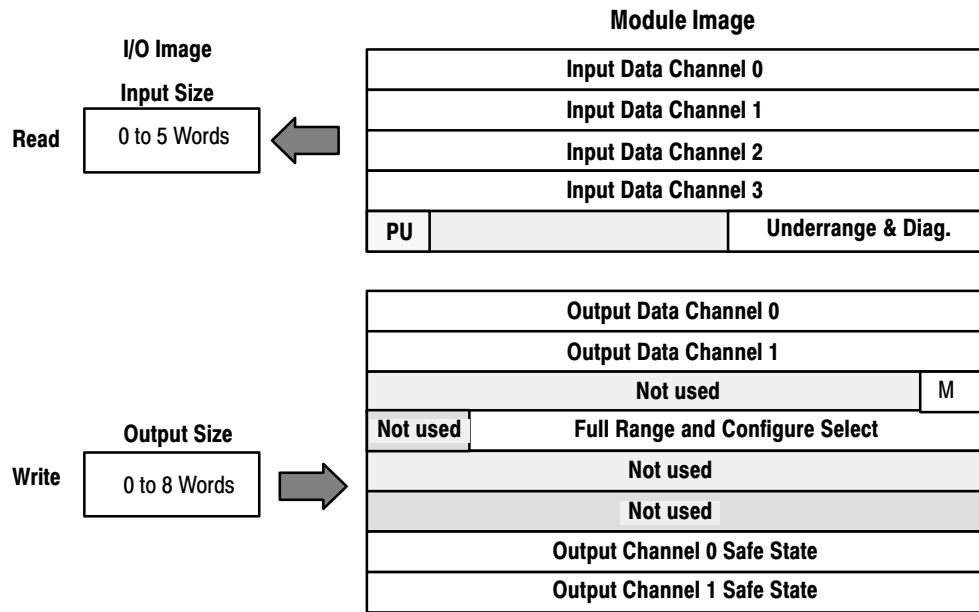
¹ When configured to off, individual channels will send 0V or 0mV on Series B modules. On Series A modules, 2V or 4mA is output until the module is configured.

Word/Bit Descriptions for the 1794-OE4/B Analog Output Module Write

Word	Decimal Bit (Octal Bit)	Definition
Write Word 0	Bits 00–14 (00–16)	Channel 0 analog data – 12-bit left justified two's complement number; unused lower bits are zero; 4-20mA uses all 16 bits.
	Bits 15 (17)	Channel 0 analog data sign bit.

Word	Decimal Bit (Octal Bit)	Definition
Word 1	Bits 00-14 (00-16)	Channel 1 analog data – 12-bit left justified two's complement number; unused lower bits are zero; 4-20mA uses all 16 bits.
	Bits 15 (17)	Channel 1 analog data sign bit.
Word 2	Bits 00-14 (00-16)	Channel 2 analog data – 12-bit left justified two's complement number; unused lower bits are zero; 4-20mA uses all 16 bits.
	Bits 15 (17)	Channel 2 analog data sign bit.
Word 3	Bits 00-14 (00-16)	Channel 3 analog data – 12-bit left justified two's complement number; unused lower bits are zero; 4-20mA uses all 16 bits.
	Bits 15 (17)	Channel 3 analog data sign bit.
Word 4	Bits 00-03	Multiplex control bits (M) for individual channels. These bits control the safe state analog outputs. – Bit 00 corresponds to output channel 0, bit 01 corresponds to output channel 1, and so on. 1 = use words 0, 1, 2 or 3 as directed by channel number n 0 = use words 10, 11, 12 or 13 as directed by channel number n When bits 00-03 are all cleared (0) simultaneously by a communication error or user choice thru the programmable controller program, word 5 full range and configure select bits are preserved at their last setting.
	Bits 04-15 (04-17)	Not used – set to 0.
Word 5	Bits 00-03	Full range bits (F) for individual channels – Bit 00 corresponds to output channel 0, bit 01 corresponds to output channel 1, and so on.
	Bits 04-07	Not used – set to 0.
	Bits 08-11 (10-13)	Configure select bits (C) for individual channels – Bit 08 corresponds to output channel 0, bit 09 corresponds to output channel 1, and so on.
	Bits 12-15 (14-17)	Not used – set to 0.
Words 6 thru 9	Bits 00-15 (00-17)	Not used – set to 0.
Word 10	Bits 00-14 (00-16)	Channel 0 Safe State analog value – 12-bit left justified two's complement number; unused lower bits are zero; 4-20mA uses all 16 bits.
	Bits 15 (17)	Channel 0 Safe State analog data sign bit.
Word 11	Bits 00-14 (00-16)	Channel 1 Safe State analog value – 12-bit left justified two's complement number; unused lower bits are zero; 4-20mA uses all 16 bits.
	Bits 15 (17)	Channel 1 Safe State analog data sign bit.
Word 12	Bits 00-14 (00-16)	Channel 2 Safe State analog value – 12-bit left justified two's complement number; unused lower bits are zero; 4-20mA uses all 16 bits.
	Bits 15 (17)	Channel 2 Safe State analog data sign bit.
Word 13	Bits 00-14 (00-16)	Channel 3 Safe State analog value – 12-bit left justified two's complement number; unused lower bits are zero; 4-20mA uses all 16 bits.
	Bits 15 (17)	Channel 3 Safe State analog data sign bit.

4 Input/2 Output Analog Combo Module (Cat. No. 1794-IE4XOE2 Series B)



Analog Combo Module (1794-IE4XOE2/B) Read

Word/Dec. Bit	15	14	13	12	11	10	09	08	07	06	05	04	03	02	01	00
Word/Octal Bit	17	16	15	14	13	12	11	10	07	06	05	04	03	02	01	00
Read Word 0	S	Analog Value Input Channel 0														
Word 1	S	Analog Value Input Channel 1														
Word 2	S	Analog Value Input Channel 2														
Word 3	S	Analog Value Input Channel 3														
Word 4	PU	Not used - set to 0									W1	W0	U3	U2	U1	U0

Where: S = sign bit (in 2's complement)
 W = Diagnostic bits for current output wire broken or load resistance high. (Not used on voltage outputs.)
 U = Underrange bits for 4-20mA inputs
 PU = Power up bit

Word/Bit Descriptions for the 1794-IE4XOE2/B Analog Combo Module Read

Word	Decimal Bit (Octal Bit)	Definition
Read Word 0	Bits 00-14 (00-16)	Channel 0 analog data - 12-bit left justified two's complement number; unused lower bits are zero; 4-20mA uses all 16 bits.
	Bits 15 (17)	Channel 0 analog data sign bit.
Word 1	Bits 00-14 (00-16)	Channel 1 analog data - 12-bit left justified two's complement number; unused lower bits are zero; 4-20mA uses all 16 bits.
	Bits 15 (17)	Channel 1 analog data sign bit.
Word 2	Bits 00-14 (00-16)	Channel 2 analog data - 12-bit left justified two's complement number; unused lower bits are zero; 4-20mA uses all 16 bits.
	Bits 15 (17)	Channel 2 analog data sign bit.

Word	Decimal Bit (Octal Bit)	Definition
Word 3	Bits 00-14 (00-16)	Channel 3 analog data - 12-bit left justified two's complement number; unused lower bits are zero; 4-20mA uses all 16 bits.
	Bits 15 (17)	Channel 3 analog data sign bit.
Word 4	Bits 00-03	Underrange bits (U) for individual channels (4-20mA current inputs only) - Bit 00 corresponds to input channel 0, bit 01 corresponds to input channel 1, and so on. When set (1), indicates either a broken or open input wire, or input current is at or below 4mA.
	Bits 04-05	Wire Off bits (W) - Current outputs only - When set (1), the wire on the current output is broken or the load resistance is too high. Bit 00 corresponds to channel 0, bit 01 corresponds to channel 2, and so on.
	Bits 06-14 (06-16)	Not used
	Bit 15 (17)	Power Up bit - included in series B modules only. This bit is always 0 in series A modules. This bit is set to 1 when all bits in the configuration register (write word 3) are 0 (unconfigured state). The configuration register can be cleared by either a reset, or by the user writing all zeroes to it.

Analog Combo Module (1794-IE4XOE2/B) Write Configuration Block

Word/Dec. Bit	15	14	13	12	11	10	09	08	07	06	05	04	03	02	01	00
Word/Octal Bit	17	16	15	14	13	12	11	10	07	06	05	04	03	02	01	00
Write Word 0	S	Analog Data - Output Channel 0														
Word 1	S	Analog Data - Output Channel 1														
Word 2	0	Not used - set to 0													M1	M0
Word 3	Not used	C5	C4	C3	C2	C1	C0	0	0	F5	F4	F3	F2	F1	F0	
Words 4 and 5	Not used - set to 0															
Word 6	S	Safe State Value - Output Channel 0														
Word 7	S	Safe State Value - Output Channel 1														

Where: M = Multiplex control bits
 S = Sign bit (in 2's complement)
 C = Configure select bit
 F = Full range bit

Range Selection Bits for the 1794-IE4XOE2/B Analog Combo Module

Channel No.	Input Channel 0		Input Channel 1		Input Channel 2		Input Channel 3		Output Channel 0		Output Channel 1	
	F0	C0	F1	C1	F2	C2	F3	C3	F4	C4	F5	C5
Decimal Bits (Octal Bits)	00	08 (10)	01	09 (11)	02	10 (12)	03	11 (13)	04	12 (14)	05	13 (15)
4-20mA	0	1	0	1	0	1	0	1	0	1	0	1
0-10V dc/0-20mA	1	0	1	0	1	0	1	0	1	0	1	0
-10 to +10V dc	1	1	1	1	1	1	1	1	1	1	1	1
Off ¹	0	0	0	0	0	0	0	0	0	0	0	0

C = Configure select bit

F = Full range bit

¹ When configured to off, individual channels will return or send either 0V or 0mA on Series B modules. On Series modules, 2V or 4mA is output until the module is configured.

Word/Bit Descriptions for the 1794-IE4XOE2/B Analog Combo Module Write

Word	Decimal Bit (Octal Bit)	Definition
Write Word 0	Bits 00-14 (00-16)	Channel 0 analog data – 12-bit left justified two's complement number; unused lower bits are zero; 4-20mA uses all 16 bits.
	Bits 15 (17)	Channel 0 analog data sign bit.
Word 1	Bits 00-14 (00-16)	Channel 1 analog data – 12-bit left justified two's complement number; unused lower bits are zero; 4-20mA uses all 16 bits.
	Bits 15 (17)	Channel 1 analog data sign bit.
Word 2	Bits 00-01	Multiplex control bits (M) for individual channels. These bits control the safe state analog outputs – Bit 00 corresponds to output channel 0, and bit 01 corresponds to output channel 1. 1 = use words 0 and 1 (analog value) as directed by channel number n 0 = use words 6 and 7 (safe state analog value) as directed by channel number n When bits 00-01 are all cleared (0) simultaneously by a communication error or user choice thru the programmable controller program, word 3 full range and configure select bits are preserved at their last setting.
	Bits 02-15 (02-17)	Not used – set to 0.
Word 3	Bits 00-05	Full range bits (F) for individual channels – Bit 00 corresponds to input channel 0, bit 01 corresponds to input channel 1, bit 02 corresponds to input channel 3, bit 03 corresponds to input channel 3, bit 04 corresponds to output channel 1, and bit 05 corresponds to output channel 2. Refer to Range Bit Selections.
	Bits 06-07	Not used – set to 0.
	Bits 08-13 (10-15)	Configure select bits (C) for individual channels – Bit 08 corresponds to input channel 0, bit 09 (11) corresponds to input channel 1, bit 10 (12) corresponds to input channel 2, bit 11 (13) corresponds to input channel 3, bit 12 (14) corresponds to output channel 0, and bit 13 (15) corresponds to output channel 1. Refer to Range Bit Selections.
	Bits 14-15 (16-17)	Not used – set to 0.

Word	Decimal Bit (Octal Bit)	Definition
Words 4 and 5		Not used – set to 0.
Word 6	Bits 00–14 (00–16)	Channel 0 Safe State analog value – 12-bit left justified two's complement number; unused lower bits are zero; 4-20mA uses all 16 bits.
	Bits 15 (17)	Channel 0 Safe State analog data sign bit.
Word 7	Bits 00–14 (00–16)	Channel 1 Safe State analog value – 12-bit left justified two's complement number; unused lower bits are zero; 4-20mA uses all 16 bits.
	Bits 15 (17)	Channel 1 Safe State analog data sign bit.

Chapter Summary

In this chapter you learned how to configure your module's features and enter your data.

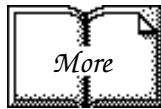
How Communication Takes Place and I/O Image Table Mapping with the DeviceNet Adapter

Chapter Objectives

In this chapter you will learn about:

- DeviceNet Manager software
- I/O structure
- image table mapping
- factory defaults

About DeviceNet Manager



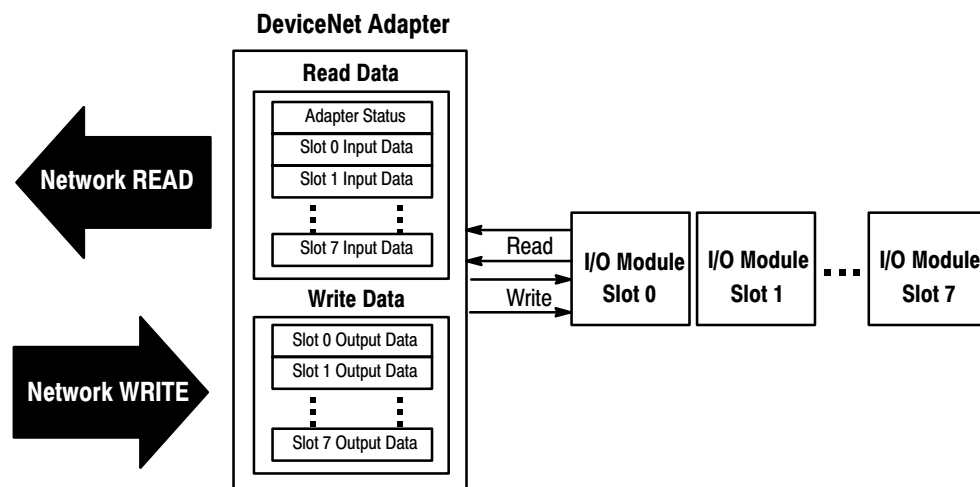
DeviceNet Manager is a software tool used to configure your FLEX I/O DeviceNet adapter and its related modules. This software tool can be connected to the adapter via the DeviceNet network.

You must know and understand how DeviceNet Manager works in order to add a device to the network. Refer to the DeviceNet Manager Software User Manual, publication 1787-6.5.3.

Polled I/O Structure

Output data is received by the adapter in the order of the installed I/O modules. The Output data for Slot 0 is received first, followed by the Output data for Slot 1, and so on up to slot 7.

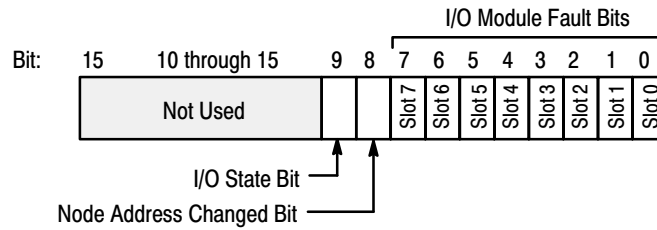
The first word of input data sent by the adapter is the Adapter Status Word. This is followed by the input data from each slot, in the order of the installed I/O modules. The Input data from Slot 0 is first after the status word, followed by Input data from Slot 2, and so on up to slot 7.



Adapter Input Status Word

The input status word consists of:

- I/O module fault bits – 1 status bit for each slot
- node address changed – 1 bit
- I/O status – 1 bit



The adapter input status word bit descriptions are shown in the following table.

Bit Description	Bit	Explanation
I/O Module Fault	0	This bit is set (1) when an error is detected in slot position 0.
	1	This bit is set (1) when an error is detected in slot position 1.
	2	This bit is set (1) when an error is detected in slot position 2.
	3	This bit is set (1) when an error is detected in slot position 3.
	4	This bit is set (1) when an error is detected in slot position 4.
	5	This bit is set (1) when an error is detected in slot position 5.
	6	This bit is set (1) when an error is detected in slot position 6.
	7	This bit is set (1) when an error is detected in slot position 7.
Node Address Changed	8	This bit is set (1) when the node address switch setting has been changed since power up.
I/O State	9	Bit = 0 – idle Bit = 1 – run
	10 thru 15	Not used – sent as zeroes.

Possible causes for an **I/O Module Fault** are:

- transmission errors on the FLEX I/O backplane
- a failed module
- a module removed from its terminal base
- incorrect module inserted in a slot position
- the slot is empty

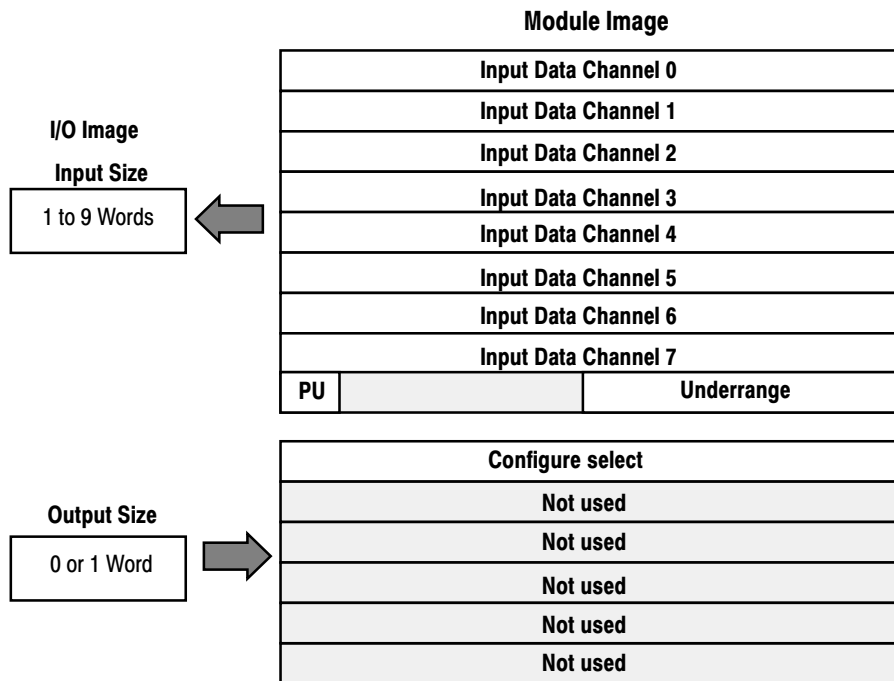
The **node address changed** bit is set when the node address switch setting has been changed since power up. The new node address does not take affect until the adapter has been powered down and then powered back up.

Mapping Data into the Image Table

FLEX I/O analog modules are supported by the DeviceNet adapter. At present, these consist of:

Module Description	Catalog Number:	For image table mapping refer to:
8 Input Analog Module	1794-IE8/B	page 5-3
4 Output Analog Module	1794-OE4/B	page 5-6
4 in/2 out Analog Combo Module	1794-IE4XOE2/B	page 5-9

8 Input Analog Module (Cat. No. 1794-IE8 Series B) Image Table Mapping



Analog Input Module (1794-IE8/B) Read

Decimal Bit	15	14	13	12	11	10	09	08	07	06	05	04	03	02	01	00	Size
Octal Bit	17	16	15	14	13	12	11	10	07	06	05	04	03	02	01	00	Read Words
	S	Analog Value Channel 0															Read Word 1
	S	Analog Value Channel 1															Read Word 2
	S	Analog Value Channel 2															Read Word 3
	S	Analog Value Channel 3															Read Word 4
	S	Analog Value Channel 4															Read Word 5
	S	Analog Value Channel 5															Read Word 6
	S	Analog Value Channel 6															Read Word 7

Decimal Bit	15	14	13	12	11	10	09	08	07	06	05	04	03	02	01	00	Size
Octal Bit	17	16	15	14	13	12	11	10	07	06	05	04	03	02	01	00	Read Words
	S	Analog Value Channel 7														Read Word 8	
	PU	Not used – set to zero						U7	U6	U5	U4	U3	U2	U1	U0	Read Word 9	

Where: PU = Power up bit – included in series B modules only.
 U = Underrange bits for 4-20mA inputs
 S = sign bit (in 2's complement)

Analog Input Module (1794-IE8/B) Write

Decimal Bit	15	14	13	12	11	10	09	08	07	06	05	04	03	02	01	00	Size
Octal Bit	17	16	15	14	13	12	11	10	07	06	05	04	03	02	01	00	Write Words
	C7	C6	C5	C4	C3	C2	C1	C0	F7	F6	F5	F4	F3	F2	F1	F0	Write Word 1
	Not used – set to 0														Write Word 2 thru 6		

Where: C = Configure select bit
 F = Full range bit

Range Selection Bits for the 1794-IE8/B Analog Input Module

Channel No.	Channel 0		Channel 1		Channel 2		Channel 3		Channel 4		Channel 5		Channel 6		Channel 7	
	F0	C0	F1	C1	F2	C2	F3	C3	F4	C4	F5	C5	F6	C6	F7	C7
Decimal Bit	00	08	01	09	02	10	03	11	04	12	05	13	06	14	07	15
0-10V dc/0-20mA	1	0	1	0	1	0	1	0	1	0	1	0	1	0	1	0
4-20mA	0	1	0	1	0	1	0	1	0	1	0	1	0	1	0	1
-10 to +10V dc	1	1	1	1	1	1	1	1	1	1	1	1	1	1	1	1
Off ¹	0	0	0	0	0	0	0	0	0	0	0	0	0	0	0	0

C = Configure select bit
 F = Full range bit

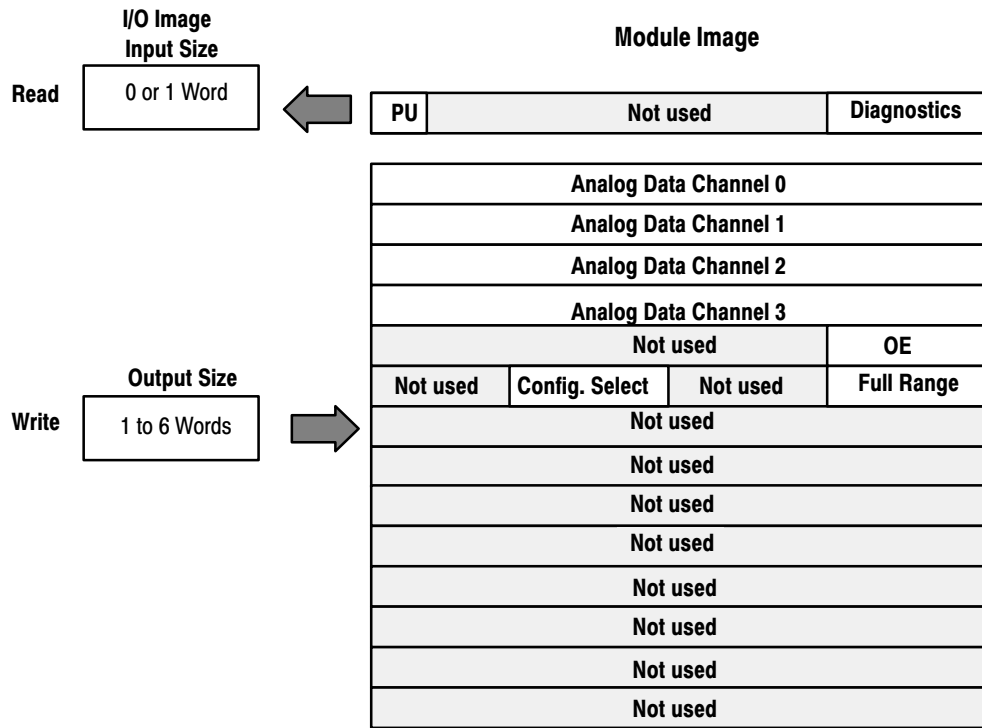
¹ When configured to off, individual channels will return 0000H on Series B modules, and 4-20mA on Series A modules.

Word/Bit Descriptions for the 1794-IE8/B Analog Input Module

Word	Decimal Bit	Definition
Read Word 1	Bits 00-14	Channel 0 analog data – 12-bit left justified two's complement number; unused lower bits are zero; 4-20mA uses all 16 bits.
	Bits 15	Channel 0 analog data sign bit.
Read Word 2	Bits 00-14	Channel 1 analog data – 12-bit left justified two's complement number; unused lower bits are zero; 4-20mA uses all 16 bits.
	Bits 15	Channel 1 analog data sign bit.
Read Word 3	Bits 00-14	Channel 2 analog data – 12-bit left justified two's complement number; unused lower bits are zero; 4-20mA uses all 16 bits.
	Bits 15	Channel 2 analog data sign bit.
Read Word 4	Bits 00-14	Channel 3 analog data – 12-bit left justified two's complement number; unused lower bits are zero; 4-20mA uses all 16 bits.
	Bits 15	Channel 3 analog data sign bit.

Word	Decimal Bit	Definition
Read Word 5	Bits 00-14	Channel 4 analog data - 12-bit left justified two's complement number; unused lower bits are zero; 4-20mA uses all 16 bits.
	Bits 15	Channel 4 analog data sign bit.
Read Word 6	Bits 00-14	Channel 5 analog data - 12-bit left justified two's complement number; unused lower bits are zero; 4-20mA uses all 16 bits.
	Bits 15	Channel 5 analog data sign bit.
Read Word 7	Bits 00-14	Channel 6 analog data - 12-bit left justified two's complement number; unused lower bits are zero; 4-20mA uses all 16 bits.
	Bits 15	Channel 6 analog data sign bit.
Read Word 8	Bits 00-14	Channel 7 analog data - 12-bit left justified two's complement number; unused lower bits are zero; 4-20mA uses all 16 bits.
	Bits 15	Channel 7 analog data sign bit.
Read Word 9	Bits 00-07	Underrange bits (U) for individual channels (4-20mA current input only) - Bit 00 corresponds to input channel 0, bit 01 corresponds to input channel 1, and so on. When set (1), indicates either a broken or open input wire, or input current at or below 4mA.
	Bits 08-14	Not used - set to 0.
	Bit 15	Power Up bit - included in series B modules only. This bit is always 0 in series A modules. This bit is set to 1 when all bits in the configuration register (write word 1) are 0 (unconfigured state). The configuration register can be cleared by either a reset, or by the user writing all zeroes to it.
Write Word 1	Bits 00-07	Full range bits (F) for individual channels - Bit 00 corresponds to input channel 0, bit 01 corresponds to input channel 1, and so on. Refer to range selection above.
	Bits 08-15	Configure select bits (C) for individual channels - Bit 08 corresponds to input channel 0, bit 09 corresponds to input channel 1, and so on. Refer to range selection above.
Write Word 2	Bits 00-15	Not used - set to 0.
Write Word 3	Bits 00-15	Not used - set to 0.
Write Word 4	Bits 00-15	Not used - set to 0.
Write Word 5	Bits 00-15	Not used - set to 0.
Write Word 6	Bits 00-15	Not used - set to 0.

4 Output Analog Module (1794-OE4 Series B) Image Table Mapping



Analog Output Module (1794-OE4/B) Read

Decimal Bit	15	14	13	12	11	10	09	08	07	06	05	04	03	02	01	00	Size
Octal Bit	17	16	15	14	13	12	11	10	07	06	05	04	03	02	01	00	Read Words
	PU	Not used - set to 0											W3	W2	W1	W0	Read Word 1

Where: PU = Power up bit - included in series B modules only.
 W = Diagnostic bits for current output wire broken or load resistance high. (Not used on voltage outputs.)

Analog Output Module (1794-OE4/B) Write

Decimal Bit	15	14	13	12	11	10	09	08	07	06	05	04	03	02	01	00	Size
Octal Bit	17	16	15	14	13	12	11	10	07	06	05	04	03	02	01	00	Read Words
	S	Analog Data - Channel 0														Write Word 1	
	S	Analog Data - Channel 1														Write Word 2	
	S	Analog Data - Channel 2														Write Word 3	
	S	Analog Data - Channel 3														Write Word 4	
	Not used - set to 0											OE3	OE2	OE1	OE0	Write Word 5	
	Not used - set to 0				C3	C2	C1	C0	Not used - set to 0				F3	F2	F1	F0	Write Word 6

Decimal Bit	15	14	13	12	11	10	09	08	07	06	05	04	03	02	01	00	Size
Octal Bit	17	16	15	14	13	12	11	10	07	06	05	04	03	02	01	00	Read Words
Not used – set to 0																Write Words 7 thru 14	

Where: S = Sign bit (in 2's complement)
 OE = Output enable bits (bit 00 corresponds to output 0, bit 01 corresponds to output 1 and so on. **ATTENTION: These bits must be set to 1.**
 C = Configure select bit
 F = Full range bit

Range Selection Bits for the 1794-OE4/B Analog Output Module (Write Word 6)

Channel No.	Channel 0		Channel 1		Channel 2		Channel 3	
	F0	C0	F1	C1	F2	C2	F3	C3
Decimal Bit	00	08	01	09	02	10	03	11
4-20mA	0	1	0	1	0	1	0	1
0-10V dc/0-20mA	1	0	1	0	1	0	1	0
-10 to +10V dc	1	1	1	1	1	1	1	1
Off ¹	0	0	0	0	0	0	0	0

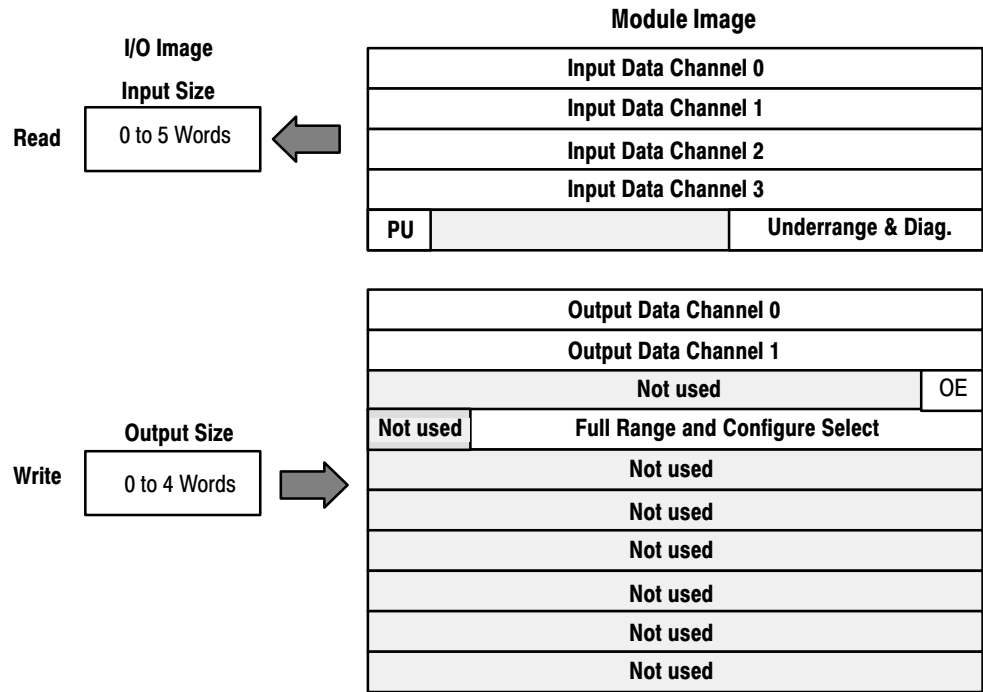
C = Configure select bit
 F = Full range bit
¹ When configured to off, individual channels will send 0V or 0mA on Series B modules; 2V or 4mA on Series A modules.

Word/Bit Descriptions for the 1794-OE4/B Analog Output Module

Word	Decimal Bit	Definition
Read Word 1	Bits 00-03	Current outputs only – When set (1), the wire on the output is broken or the load resistance is too high. Bit 00 corresponds to channel 0, bit 01 corresponds to channel 2, and so on.
	Bits 04-14	Not used – set to 0.
	Bit 15	Power Up bit – included in series B modules only. This bit is always 0 in series A modules. This bit is set to 1 when all bits in the configuration register (write word 6) are 0 (unconfigured state). The configuration register can be cleared by either of the reset inputs, or by the user writing all zeroes to it.
Write Word 1	Bits 00-14	Channel 0 analog data – 12-bit left justified two's complement number; unused lower bits are zero; 4-20mA uses all 16 bits.
	Bits 15	Channel 0 analog data sign bit.
Write Word 2	Bits 00-14	Channel 1 analog data – 12-bit left justified two's complement number; unused lower bits are zero; 4-20mA uses all 16 bits.
	Bits 15	Channel 1 analog data sign bit.
Write Word 3	Bits 00-14	Channel 2 analog data – 12-bit left justified two's complement number; unused lower bits are zero; 4-20mA uses all 16 bits.
	Bits 15	Channel 2 analog data sign bit.
Write Word 4	Bits 00-14	Channel 3 analog data – 12-bit left justified two's complement number; unused lower bits are zero; 4-20mA uses all 16 bits.
	Bits 15	Channel 3 analog data sign bit.

Word	Decimal Bit	Definition
Write Word 5	Bits 00-03	Output Enable bits. Bit 00 corresponds to input 0, bit 01 corresponds to input 1, bit 02 corresponds to input 2, and bit 03 corresponds to input 3. These bits must be set to 1.
	Bits 04-15	Not used – set to 0.
Write Word 6	Bits 00-03	Full range bits (F) for individual channels – Bit 00 corresponds to output channel 0, bit 01 corresponds to output channel 1, and so on. Refer to range selection above.
	Bits 04-07	Not used – set to 0.
	Bits 08-11	Configure select bits (C) for individual channels – Bit 08 corresponds to output channel 0, bit 09 corresponds to output channel 1, and so on. Refer to range selection above.
	Bits 12-15	Not used – set to 0.
Write Word 7	Bits 00-15	Not used – set to 0.
Write Word 8	Bits 00-15	Not used – set to 0.
Write Word 9	Bits 00-15	Not used – set to 0.
Write Word 10	Bits 00-15	Not used – set to 0.
Write Word 11	Bits 00-15	Not used – set to 0.
Write Word 12	Bits 00-15	Not used – set to 0.
Write Word 13	Bits 00-15	Not used – set to 0.
Write Word 14	Bits 00-15	Not used – set to 0.

Analog Combo Module (1794-IE4XOE2 Series B) Image Table Mapping



Analog Combo Module (1794-IE4XOE2/B) Read

Decimal Bit	15	14	13	12	11	10	09	08	07	06	05	04	03	02	01	00	Size
Octal Bit	17	16	15	14	13	12	11	10	07	06	05	04	03	02	01	00	Read Words
	S	Analog Value Input Channel 0														Read Word 1	
	S	Analog Value Input Channel 1														Read Word 2	
	S	Analog Value Input Channel 2														Read Word 3	
	S	Analog Value Input Channel 3														Read Word 4	
	PU	Not used - set to 0									W1	W0	U3	U2	U1	U0	Read Word 5

Where: PU = Power up bit - included in series B modules only.
 W = Diagnostic bits for current output wire broken or load resistance high. (Not used on voltage outputs.)
 U = Underrange bits for 4-20mA inputs

Analog Output Module (1794-IE4XOE2/B) Write

Decimal Bit	15	14	13	12	11	10	09	08	07	06	05	04	03	02	01	00	Size
Octal Bit	17	16	15	14	13	12	11	10	07	06	05	04	03	02	01	00	Read Words
	S	Analog Data - Output Channel 0														Write Word 1	
	S	Analog Data - Output Channel 1														Write Word 2	
	Not used - set to 0													OE1	OE0	Write Word 3	
	Not used	C5	C4	C3	C2	C1	C0	0	0	F5	F4	F3	F2	F1	F0	Write Word 4	
	Not used - set to 0														Write Word 5 thru 10		

Where: OE = Output enable bits (bit 00 corresponds to output 0, bit 01 corresponds to output 1). **ATTENTION: These bits must be set to 1.**
 S = Sign bit (in 2's complement)
 C = Configure select bit
 F = Full range bit

Range Selection Bits for the 1794-IE4XOE2 Analog Combo Module

Channel No.	Input Channel 0		Input Channel 1		Input Channel 2		Input Channel 3		Output Channel 0		Output Channel 1	
	F0	C0	F1	C1	F2	C2	F3	C3	F4	C4	F5	C5
Decimal Bit	00	08	01	09	02	10	03	11	04	12	05	13
4-20mA	0	1	0	1	0	1	0	1	0	1	0	1
0-10V dc/0-20mA	1	0	1	0	1	0	1	0	1	0	1	0
-10 to +10V dc	1	1	1	1	1	1	1	1	1	1	1	1
Off ¹	0	0	0	0	0	0	0	0	0	0	0	0

C = Configure select bit
 F = Full range bit

¹ When configured to off, individual channels will return either 0V or 0mA on Series B modules; 2V or 4mA on Series A modules.

Word/Bit Descriptions for the 1794-IE4XOE2 Analog Combo Module

Word	Decimal Bit	Definition
Read Word 1	Bits 00-14	Channel 0 analog data - 12-bit left justified two's complement number; unused lower bits are zero; 4-20mA uses all 16 bits.
	Bits 15	Channel 0 analog data sign bit.
Read Word 2	Bits 00-14	Channel 1 analog data - 12-bit left justified two's complement number; unused lower bits are zero; 4-20mA uses all 16 bits.
	Bits 15	Channel 1 analog data sign bit.
Read Word 3	Bits 00-14	Channel 2 analog data - 12-bit left justified two's complement number; unused lower bits are zero; 4-20mA uses all 16 bits.
	Bits 15	Channel 2 analog data sign bit.
Read Word 4	Bits 00-14	Channel 3 analog data - 12-bit left justified two's complement number; unused lower bits are zero; 4-20mA uses all 16 bits.
	Bits 15	Channel 3 analog data sign bit.

Word	Decimal Bit	Definition
Read Word 5	Bits 00-03	Underrange bits (U) for individual channels (4-20mA current inputs only) – Bit 00 corresponds to input channel 0, bit 01 corresponds to input channel 1, and so on.
	Bits 04-05	Wire Off bits (W) – Current outputs only – When set (1), the wire on the current output is broken or the load resistance is too high. Bit 00 corresponds to channel 0, bit 01 corresponds to channel 2, and so on.
	Bits 06-14	Not used – set to 0.
	Bit 15	Power Up bit – included in series B modules only. This bit is always 0 in series A modules. This bit is set to 1 when all bits in the configuration register are 0 (unconfigured state). The configuration register can be cleared by either a reset input, or by the user writing all zeroes to it.
Write Word 1	Bits 00-14	Channel 0 analog data – 12-bit left justified two's complement number; unused lower bits are zero; 4-20mA uses all 16 bits.
	Bits 15	Channel 0 analog data sign bit.
Write Word 2	Bits 00-14	Channel 1 analog data – 12-bit left justified two's complement number; unused lower bits are zero; 4-20mA uses all 16 bits.
	Bits 15	Channel 1 analog data sign bit.
Write Word 3	Bits 00-01	Output Enable bits. Bit 00 corresponds to output 0, bit 01 corresponds to output 1. These bits must be set to 1.
	Bits 02-15	Not used – set to 0.
Write Word 4	Bits 00-05	Full range bits (F) for individual channels – Bit 00 corresponds to input channel 0, bit 01 corresponds to input channel 1, bit 02 corresponds to input channel 3, bit 03 corresponds to input channel 3, bit 04 corresponds to output channel 1, and bit 05 corresponds to output channel 2. Refer to range selection above.
	Bits 06-07	Not used – set to 0.
	Bits 08-13	Configure select bits (C) for individual channels – Bit 08 corresponds to input channel 0, bit 09 (11) corresponds to input channel 1, bit 10 (12) corresponds to input channel 2, bit 11 (13) corresponds to input channel 3, bit 12 (14) corresponds to output channel 0, and bit 13 (15) corresponds to output channel 1. Refer to range selection above.
	Bits 14-15	Not used – set to 0.
Write Word 5	Bits 00-15	Not used – set to 0.
Write Word 6	Bits 00-15	Not used – set to 0.
Write Word 7	Bits 00-15	Not used – set to 0.
Write Word 8	Bits 00-15	Not used – set to 0.
Write Word 9	Bits 00-15	Not used – set to 0.
Write Word 10	Bits 00-15	Not used – set to 0.

Defaults

Each I/O module has default values associated with it. At default, each module will generate inputs/status and expect outputs/configuration.

Module Defaults for:		Factory Defaults		Real Time Size	
Catalog Number	Description	Input Default	Output Default	Input Default	Output Default
1794-IE8/B	8-pt Analog Input	9	6	8	0
1794-OE4/B	4-pt Analog Output	1	14	0	4
1794-IE4XOE2/B	4 in/2 out Analog Combo	5	10	4	2

Factory defaults are the values assigned by the adapter when you:

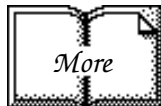
- first power up the system, and
- no previous stored settings have been applied.

For analog modules, the defaults reflect the actual number of input words/output words. For example, for the 8 input analog module, you have 9 input words, and 6 output words.

You can change the I/O data size for a module by reducing the number of words mapped into the adapter module, as shown in real time sizes.”

Real time sizes are the settings that provide optimal real time data to the adapter module.

Analog modules have 15 words assigned to them. This is divided into input words/output words. You can reduce the I/O data size to fewer words to increase data transfer over the backplane. For example, an 8 input analog module has 9 words input/6 words output with factory default. You can reduce the input words to 8 by not using the underrange settings set in word 9. Likewise, you can reduce the write words to 0, thus eliminating the configuration setting and unused words.



For information on using DeviceNet Manager software to configure your adapter, refer to the DeviceNet Manager Software User Manual, publication 1787-6.5.3.

Specifications

Specifications - 1794-IE8/B Analog Input Module	
Number of Inputs	8 single-ended, non-isolated
Module Location	Cat. No. 1794-TB2, -TB3 Terminal Base Unit
Resolution	12 bits - unipolar; 11 bits plus sign - bipolar
Voltage	2.56mV/cnt unipolar; 5.13mV/cnt bipolar
Current	5.13µA/cnt
Data Format	left justified 16-bit 2's complement
Conversion Type	Successive approximation
Conversion Rate	256µs all channels
Input Current Terminal	4-20mA (user configurable) 0-20mA (user configurable)
Input Voltage Terminal	±10V (user configurable) 0-10V (user configurable)
Normal Mode Rejection Ratio	
Voltage Terminal	-3db @ 17Hz; -20db/decade -10.0dB @ 50Hz, -11.4dB @ 60Hz
Current Terminal	-3db @ 9Hz; -20db/decade -15.3dB @ 50Hz, -16.8dB @ 60Hz
Step Response to 63%	
Voltage Terminal	9.4ms
Current Terminal	18.2ms
Input Impedance	
Voltage Terminal	100k ohms
Current Terminal	238 ohms
Input Resistance	
Voltage Terminal	200k ohms
Current Terminal	238 ohms
Absolute Accuracy ¹	
Voltage Terminal	0.29% Full Scale @ 25°C
Current Terminal	0.29% Full Scale @ 25°C
Accuracy Drift with Temperature	
Voltage Terminal	0.00428% Full Scale/°C
Current Terminal	0.00407% Full Scale/°C
Calibration	None Required
Maximum Overload	30V continuous or 32mA continuous, one channel at a time
Isolation Voltage	Tested at 850V dc for 1s between user and system No isolation between individual channels
Indicators	1 green power indicator
Flexbus Current	20mA
Power Dissipation	3W maximum @ 31.2V dc
Thermal Dissipation	Maximum 10.2 BTU/hr @ 31.2V dc
Keyswitch Position	3
Specifications continued on next page.	

Specifications - 1794-IE8/B Analog Input Module

General Specifications

External dc Power		
	Supply Voltage	24V dc nominal
	Voltage Range	19.2 to 31.2V dc (includes 5% ac ripple)
	Supply Current	60mA @ 24V dc
Dimensions	Inches (Millimeters)	1.8H x 3.7W x 2.1D (45.7 x 94.0 x 53.3)
Environmental Conditions		
	Operational Temperature	0 to 55°C (32 to 131°F)
	Storage Temperature	-40 to 85°C (-40 to 185°F)
	Relative Humidity	5 to 95% noncondensing (operating) 5 to 80% noncondensing (nonoperating)
Shock	Operating	30 g peak acceleration, 11(+1)ms pulse width
	Non-operating	50 g peak acceleration, 11(±1)ms pulse width
Vibration		Tested 5 g @ 10-500Hz per IEC 68-2-6
Conductors	Wire Size	12 gauge (4mm ²) stranded maximum 3/64 inch (1.2mm) insulation maximum
	Category	2 ²
Agency Certification (when product or packaging is marked)		<ul style="list-style-type: none"> • CSA certified • CSA Class I, Division 2, Groups A, B, C, D certified • UL listed • CE marked for all applicable directives
Installation Instruction		Publication 1794-5.6

¹ Includes offset, gain, non-linearity and repeatability error terms.

² Use this conductor category information for planning conductor routing as described in publication 1770-4.1, "Wiring and Grounding Guidelines for Noise Immunity."