

LSU LIQUID TURBINE FLOW METER



DESCRIPTION

The liquid turbine flow meter are specially designed for liquid measurement. It operate according to the turbine principle.

APPLICATIONS

- Petrochemical/energy industry
- Hydraulic/lubrication system
- Test systems
- Distilled water
- Clean water
- Food and beverage industry



FEATURES

- Light oil & purity liquid measurement
- Modbus RS485 Communication
- Backlight option
- Working Max Temp.: +150°C
- Unit of GPM, Kg/h, Ft³/h, LPM, BPD, m³/h, Ton/h
- Totalizer reset
- High/low alarm



N2- Current Output Type



E- Digital Type



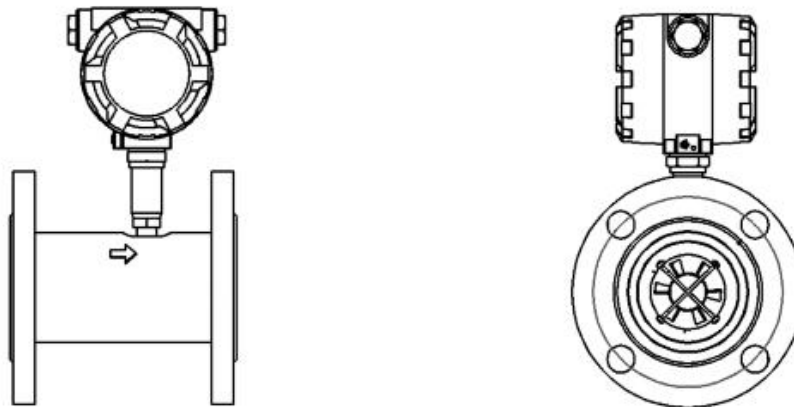
N1- Pulse Type

LSU LIQUID TURBINE FLOW METER

TECHNICAL DATA

Output	Pulse; 4-20mA	
Accuracy	±1.0 of Rate; ±0.5% of Rate	
Ambient Temp.	- 20...+60 °C	
Fluid Temp.	- 20...+150 °C	
Body Material	SS304; SS316	
Rotor Material	2Cr13; CD4MCu	
Bearing Material	Tungsten Carbide	
Connection	Flange of DIN, JIS, ANSI	DN15- DN 200
	Thread of G, BSP, NPT	DN4- DN 50
	Sanitary Tri- Clamp	DN10- DN100
	Wafer	DN50- DN200
Communication	RS485	
Power Supply	24V DC; Battery; 220V AC	
Protection	IP65	
Explosion Proof	Exd IICT6 Gb	

TECHNICAL DRAWINGS



LSU LIQUID TURBINE FLOW METER

FLOW RANGE

Diameter (mm)	Standard Range (m ³ /h)	Extended Range (m ³ /h)	Max. pressure loss (kPa)
4	0.04-0.25	0.04-0.4	120
6	0.1-0.6	0.06-0.6	80
10	0.2-1.2	0.15-1.5	50
15	0.6-3.6	0.5-5	35
20	0.8-8	0.45-9	35
25	1-10	0.5-10	35
32	1.5-15	0.8-15	35
40	2-20	1-20	35
50	4-40	2-40	35
65	7-70	5-70	25
80	10-100	7-100	25
100	20-200	10-200	25
125	25-250	13-250	25
150	30-300	15-300	25
200	80-800	40-800	25

MODEL SELECTION

Model		Suffix Code								Description
LSW-SM-LTM	1	2	3	4	5	6	7	8	9	Liquid Turbine Flow Meter
Diameter	XXX									Stand for diameter 004: DN4: 006: DN6 DN4-DN200
Converter Type	N1									24V DC; Pulse output; No display
	N2									24V DC; Pulse output;No display; Ex
	A									24V DC; 4-20 mA output; Nodisplay; Ex
	E1									Battery power supply; No output; Ex; Digital Display
	E2									24V DC; 2-wire 4-20mA output;Ex; Digital Display
	E3									24V DC; Pulse output; Ex;Display
	E4									24V DC; 0-20mA output; EX; Digital display
	E5									24V DC; 3-wire 4-20mA / Pulse output; EX; Digital display
	M									220Vac; 4-20mA output; EX; Digital display
	FE									FE:Fluidwell E series converter
	FF									FF:Fluidwell F series converter
	Notice:									
Accuracy			10							±1.0% of Rate
			05							±0.5% of Rate
Flow Range				S						Standard Range
				E						Extended Range
Body Material					S4					SS304
					S6					SS316
					PL					Plastic (DN15-DN50)
Rotor Material						Cr				2Cr13
						CD				CD4MCu
Explosion Proof							BT			Exd II BT6
							NA			No explosion proof
Connection								THM		Male thread; Available from DN4 ... DN50
								THF		Female thread; Available from DN4 ... DN50
								WAF		Wafer connection
								DXX		D16: DIN PN16 flange;D25: DIN PN25...
								AXX		A15: ANSI 150# flange;A30: ANSI 300#...
								JXX		J10: JIS 10K flange;J20: JIS 20K...
Temperature								T1		-20...+80 °C
								T2		-20...+120 °C
								T3		-20...+150 °C